

**COULTER-Spring Shank Mounts, 5/8" U-bolts not included**

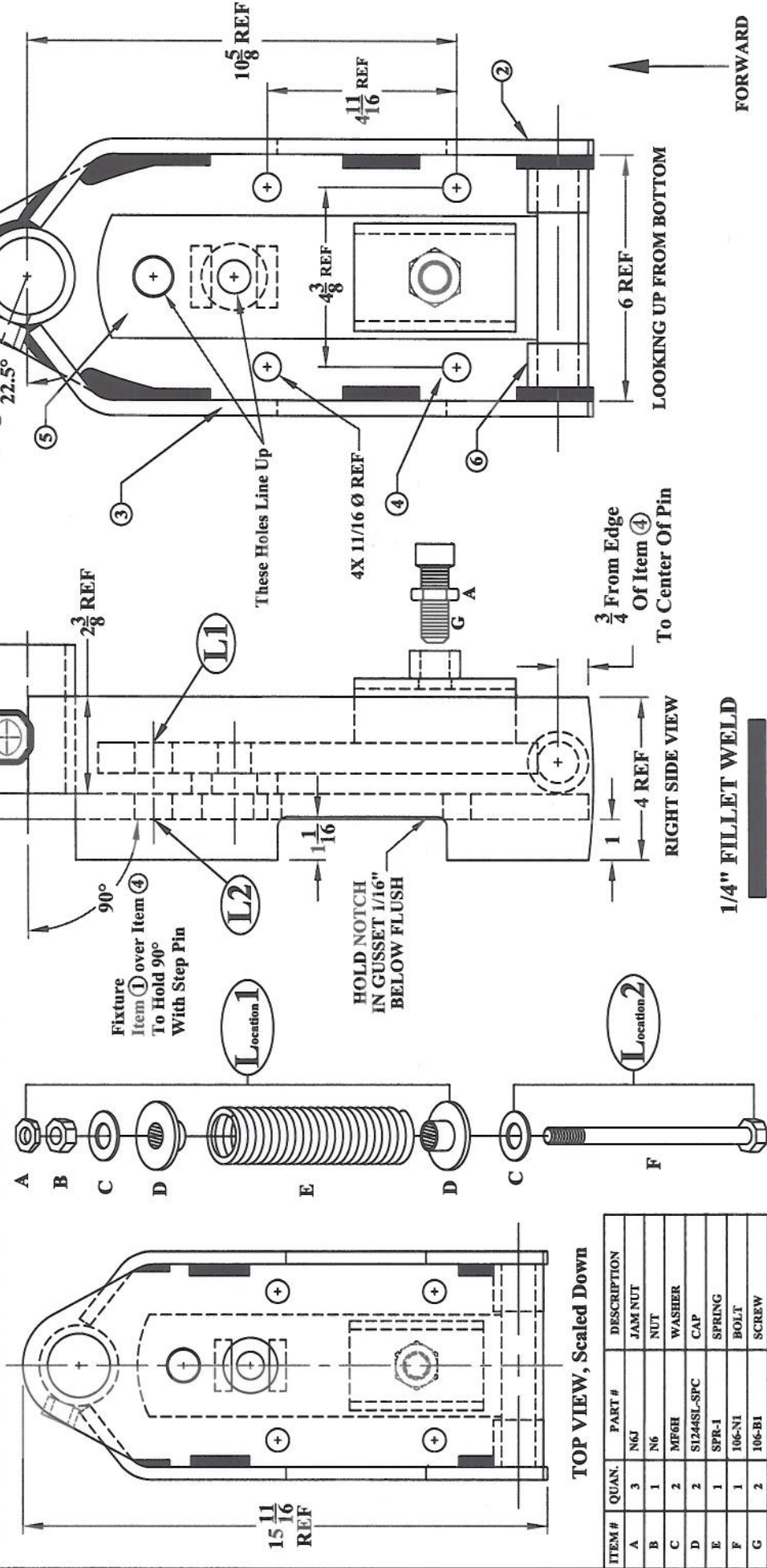
Part #	Description	Unit Weight, lbs
<b>KSC-466540</b>	4 X 4 or 6 X 4 Coultter-Shank System Mount, requires 2ea 5/8" U-bolt	<b>53.0</b>
<b>KSC-466540X</b>	4 X 4 or 6 X 4 Coultter-Shank System Mount, <b>Heavy-Duty dbl spring, requires 2ea 5/8" U-bolt</b>	<b>55.0</b>
<b>KSC-466560</b>	4 X 6 or 6 X 6 Coultter-Shank System Mount, requires 2ea 5/8" U-bolt	<b>58.0</b>
<b>KSC-466560X</b>	4 X 6 or 6 X 6 Coultter-Shank System Mount, <b>Heavy-Duty dbl spring, requires 2ea 5/8" U-bolt</b>	<b>60.0</b>
<b>KSC-466570</b>	5 X 7 or 7 X 7 Coultter-Shank System Mount, requires 2ea 5/8" U-bolt	<b>62.0</b>
<b>KSC-466570X</b>	5 X 7 or 7 X 7 Coultter-Shank System Mount, <b>Heavy-Duty dbl spring, requires 2ea 5/8" U-bolt</b>	<b>64.0</b>

**SEE U-bolt Section 9 to select proper size U-bolt for your toolbar**



**KSC-466540X Coultter-spring  
shank mount shown  
order U-bolts separately**

ITEM #	QUAN.	PART #	DESCRIPTION
1	1	KSC-466340-BMT	BAR MTG TUBE
2	1	KSC-466540-GL	GUSSET
3	1	KSC-466540-GR	GUSSET
4	1	KSC-466540-MP	MOUNTING PLATE
5	1	S1244SL-TW	SPRING CLAMP TONGUE WELDMENT
6	2	S1244SL-HT	1-1/2 OD X .240 WALL DOM TUBE
7	1	N6	3/4 - 10 HEX NUT



**SHIELD**  
AGRICULTURAL EQUIPMENT

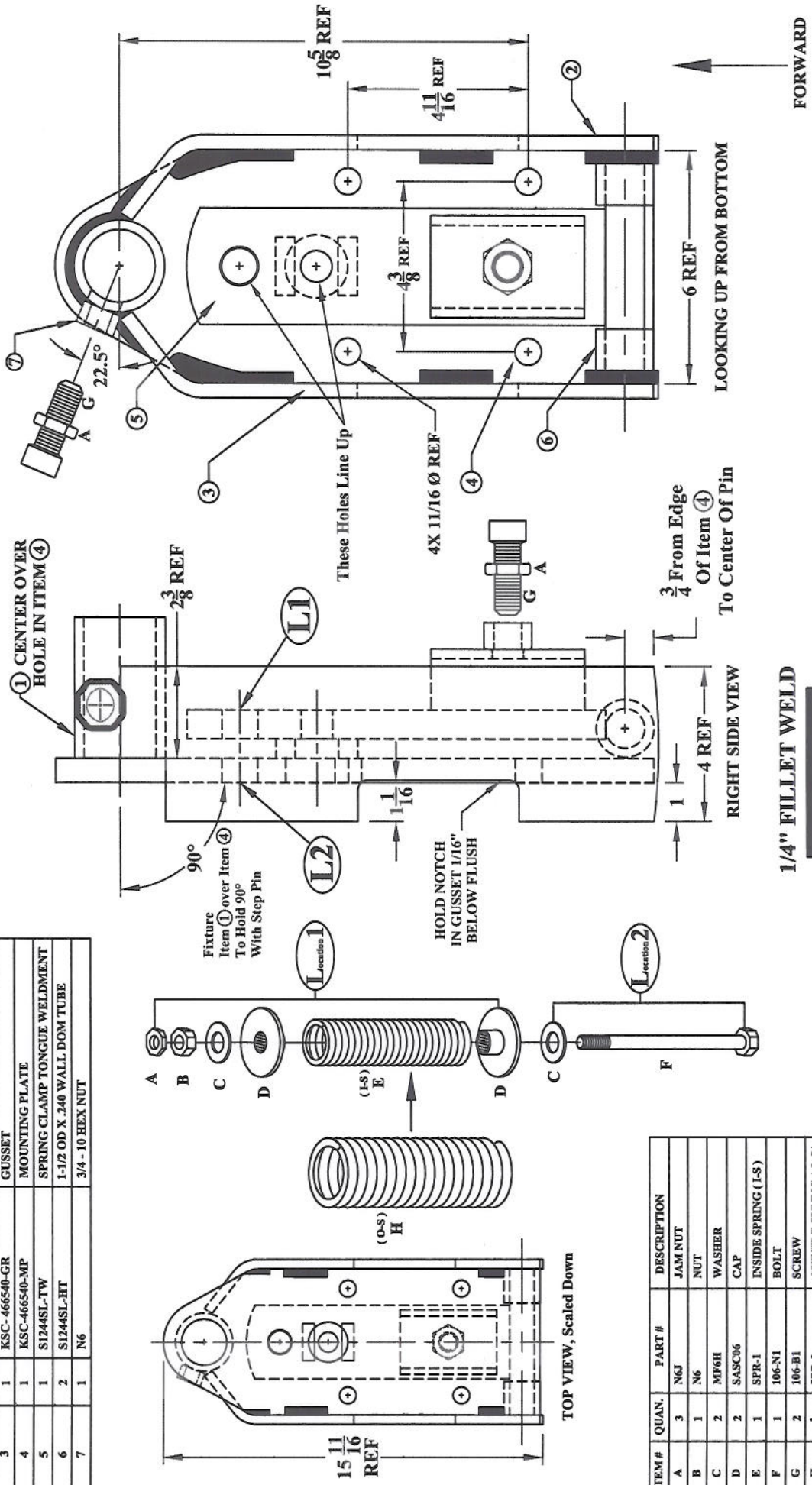
DRAWN BY: **ALINK**      DATE: **12/31/07**  
 CHECKED BY:      DATE:     

TOLERANCE UNLESS OTHERWISE NOTED

0/0 +/- 1/32
0.00 +/- .020
0.000 +/- .005
0.0000 +/- .001
ANGLE +/- 1/2

REV.	BY	DATE	DESCRIPTION	MATERIAL	WELDMENT	PART NO.	REV.
-	-	-	-	-	-	<b>KSC-466540</b>	-
<b>COULTER/SPRING CLAMP, 4 X 4 OR 6 X 4</b>							

ITEM #	QUAN.	PART #	DESCRIPTION
1	1	KSC-466340-BMT	BAR MTG TUBE
2	1	KSC-466540-GL	GUSSET
3	1	KSC-466540-GR	GUSSET
4	1	KSC-466540-MP	MOUNTING PLATE
5	1	S1244SL-TW	SPRING CLAMP TONGUE WELDMENT
6	2	S1244SL-HT	1-1/2 OD X .240 WALL DOM TUBE
7	1	N6	3/4 - 10 HEX NUT



TOLERANCE UNLESS OTHERWISE NOTED	
0/0 +/-	1/32
0.00 +/-	.020
0.000 +/-	.005
0.0000 +/-	.001
ANGLE +/-	1/2

REV.	BY	DATE	DESCRIPTION
-	-	-	-
-	-	-	-
-	-	-	-
-	-	-	-

DESCRIPTION	MATERIAL	REF.
<b>COULTER/SPRING CLAMP, 4 X 4 OR 6 X 4</b>	<b>WELDMENT</b>	<b>-</b>

# SHIELD

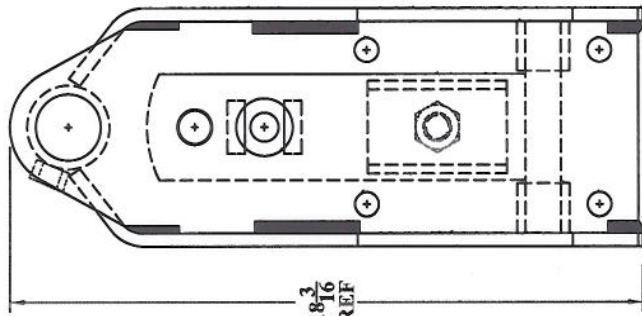
AGRICULTURAL EQUIPMENT

DRAWN BY: **ALINK**      DATE: **12/31/07**

CHECKED BY: **-**      DATE: **-**

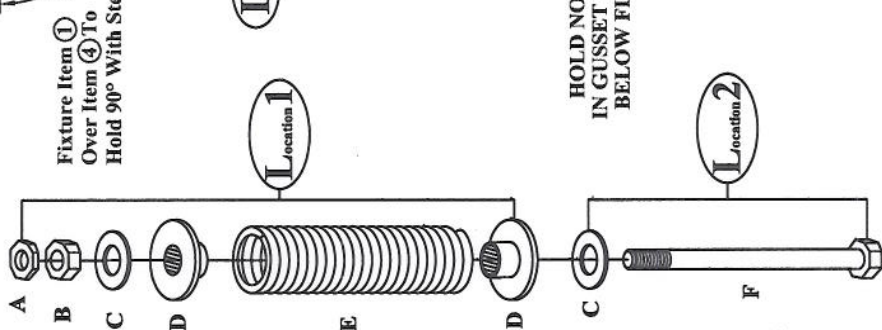
PART NO. **KSC-466540X**      REF. **-**

ITEM #	QUAN.	PART #	DESCRIPTION
1	1	KSC-466340-BMT	BAR MTG TUBE
2	1	KSC-466560-GL	GUSSET
3	1	KSC-466560-GR	GUSSET
4	1	KSC-466560-MP	MOUNTING PLATE
5	1	S1244SL-TW	SPRING CLAMP TONGUE WELDMENT
6	2	S1244SL-HT	1-1/2 OD X .240 WALL DOM TUBE
7	1	N6	3/4 - 10 HEX NUT

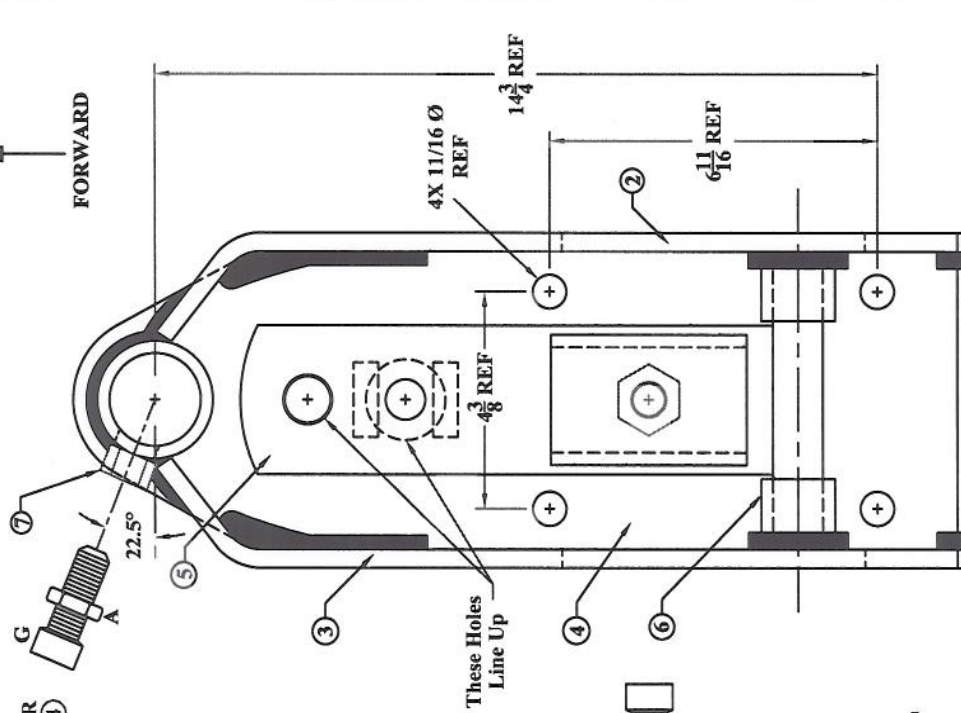


TOP VIEW, Scaled Down

ITEM #	QUAN.	PART #	DESCRIPTION
A	3	N6J	JAM NUT
B	1	N6	NUT
C	2	MP6H	WASHER
D	2	S1244SL-SPC	CAP
E	1	SPR-1	SPRING
F	1	106-NI	BOLT
G	2	106-B1	SCREW



RIGHT SIDE VIEW



LOOKING UP FROM BOTTOM

1/4" FILET WELD

TOLERANCE UNLESS OTHERWISE NOTED
0/0 +/- .1/32
0.00 +/- .020
0.000 +/- .005
0.0000 +/- .001
ANGLE +/- 1/2

**SHIELD**  
AGRICULTURAL EQUIPMENT

DRAWN BY: ALINK	DATE: 01/03/08
CHECKED BY: -	DATE: -

PART NO. KSC-466560	REV. -
---------------------	--------

DESCRIPTION COULTER/SPRING CLAMP, 4 X 6 OR 6 X 6

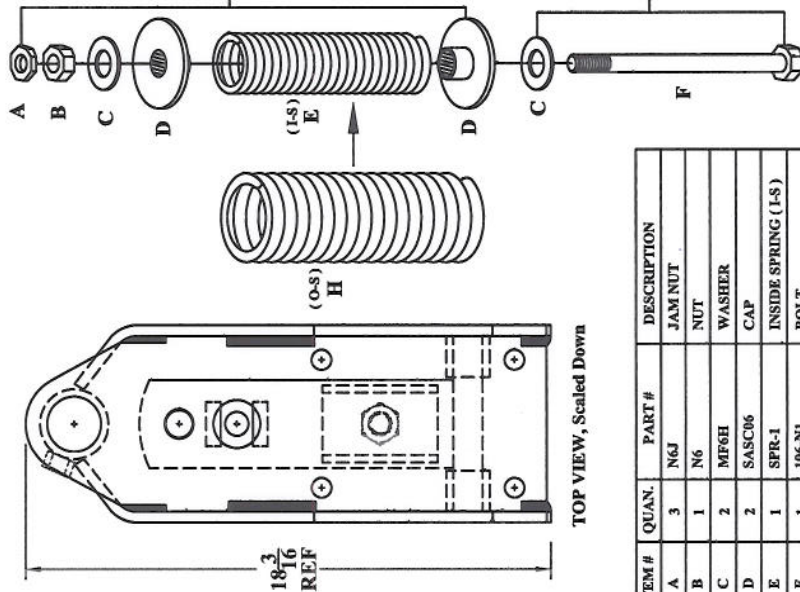
MATERIAL WELDMENT

DESCRIPTION

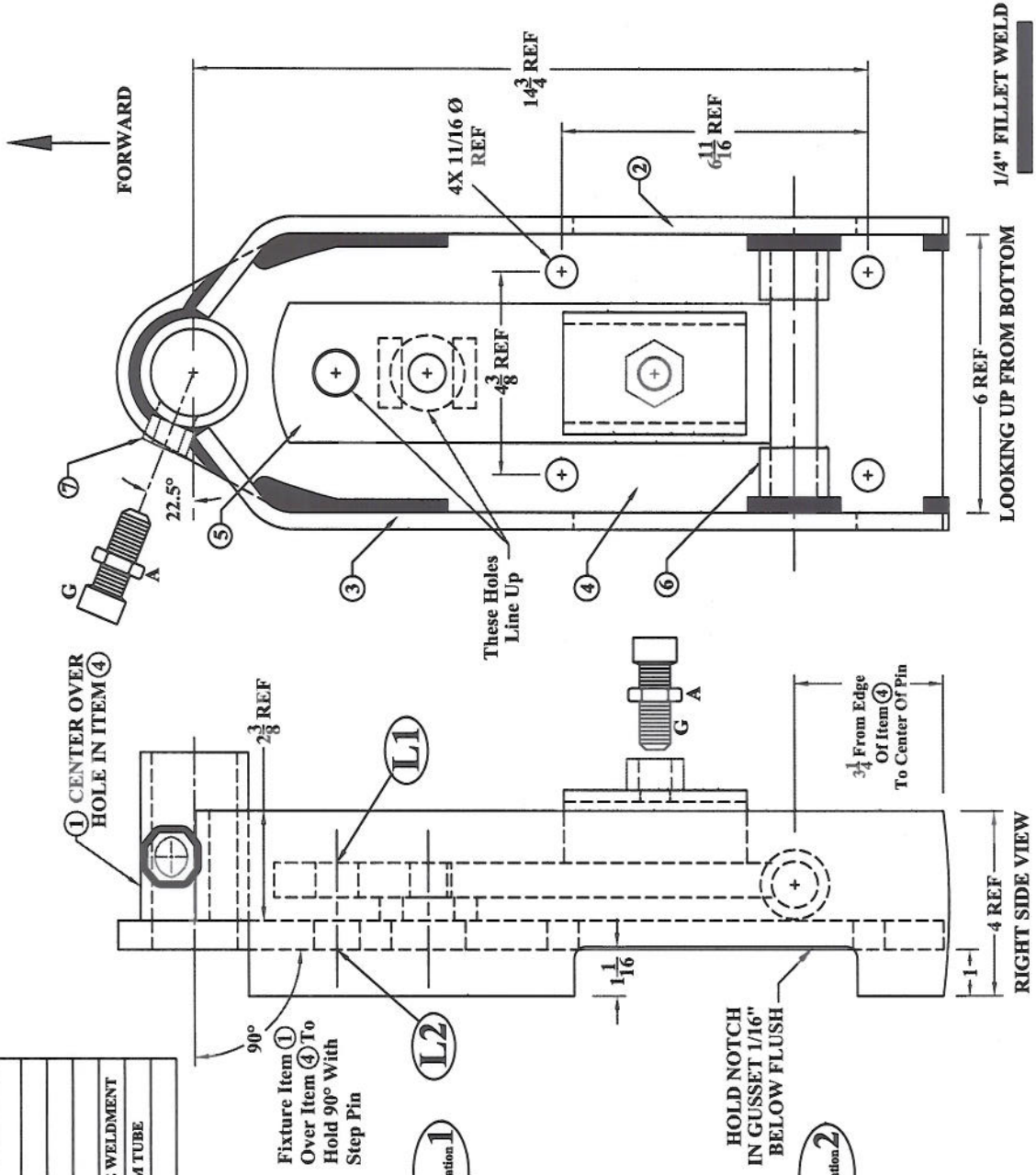
BY

DATE

ITEM #	QUAN.	PART #	DESCRIPTION
1	1	KSC-466340-BMT	BAR MTG TUBE
2	1	KSC-466560-GL	GUSSET
3	1	KSC-466560-GR	GUSSET
4	1	KSC-466560-MP	MOUNTING PLATE
5	1	SI244SL-TW	SPRING CLAMP TONGUE WELDMENT
6	2	SI244SL-HT	1-1/2 OD X .240 WALL DOM TUBE
7	1	N6	3/4 - 10 HEX NUT



ITEM #	QUAN.	PART #	DESCRIPTION
A	3	N6J	JAM NUT
B	1	N6	NUT
C	2	MF6H	WASHER
D	2	SASC06	CAP
E	1	SPR-1	INSIDE SPRING (I-S)
F	1	106-N1	BOLT
G	2	106-B1	SCREW
H	1	SPR-2	OUTSIDE SPRING (O-S)



TOLERANCE UNLESS OTHERWISE NOTED
0/0 +/- 1/32
0.00 +/- .020
0.000 +/- .005
0.0000 +/- .001
ANGLE +/- 1/2

REV.	BY	DATE	DESCRIPTION
-	-	-	-
-	-	-	-
-	-	-	-
-	-	-	-

REV.	BY	DATE	DESCRIPTION
-	-	-	-

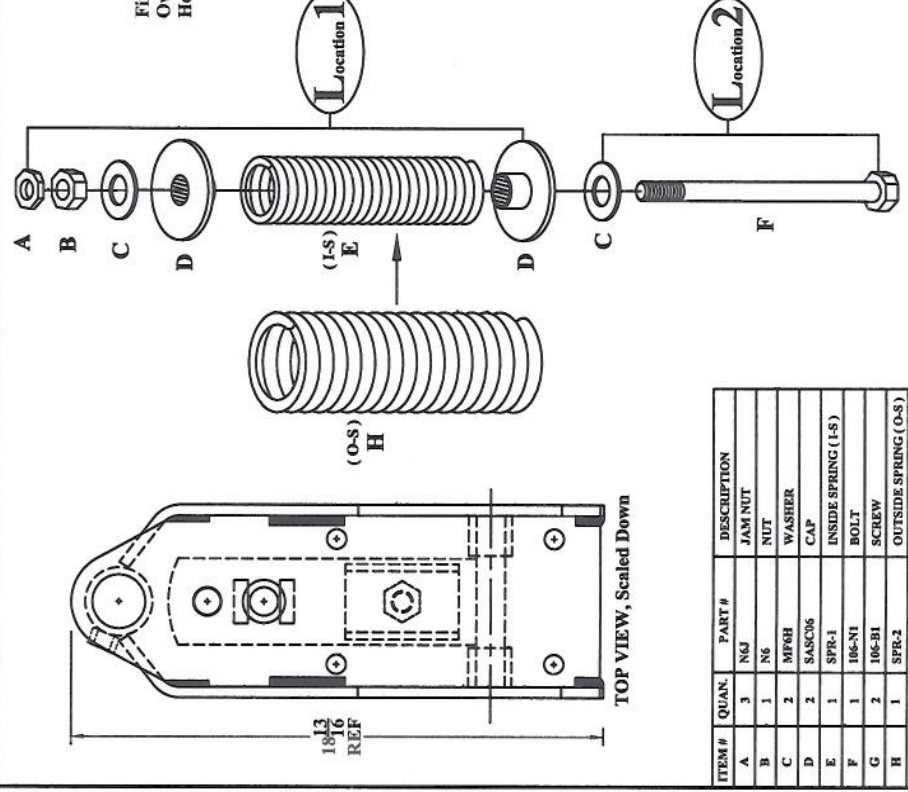
DESCRIPTION	MATERIAL	PART NO.	REV.
COULTER/SPRING CLAMP, 4 X 6 OR 6 X 6	WELDMENT	KSC-466560X	-

**SHIELD**  
AGRICULTURAL EQUIPMENT

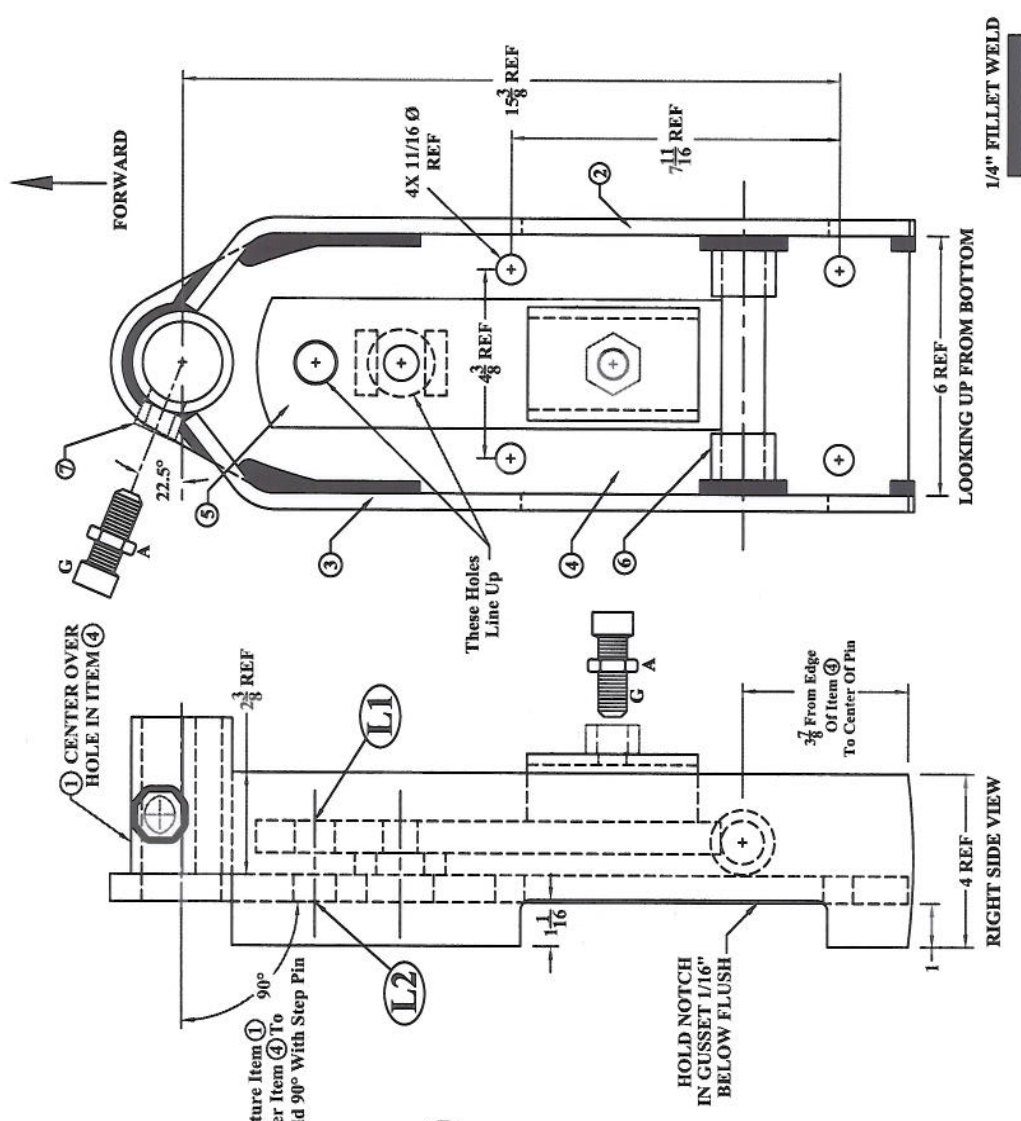
DRAWN BY: ALINK DATE: 01/03/08  
CHECKED BY: DATE: -



ITEM #	QUAN.	PART #	DESCRIPTION
1	1	KSC-466340-BMT	BAR MTG TUBE
2	1	KSC-466570-GL	GUSSET
3	1	KSC-466570-CR	GUSSET
4	1	KSC-466570-MP	MOUNTING PLATE
5	1	S1244SL-TW	SPRING CLAMP TONGUE WELDMENT
6	2	S1244SL-HT	1-1/2 OD X 240 WALL DOM TUBE
7	1	N6	3/4 - 10 HEX NUT



ITEM #	QUAN.	PART #	DESCRIPTION
A	3	NG1	JAM NUT
B	1	N6	NUT
C	2	MPSH	WASHER
D	2	SASC06	CAP
E	1	SPR-1	INSIDE SPRING (I-S)
F	1	106-N1	BOLT
G	2	106-B1	SCREW
H	1	SPR-2	OUTSIDE SPRING (O-S)



<p><b>SHIELD</b> AGRICULTURAL EQUIPMENT</p>		<p>TOLERANCE UNLESS OTHERWISE NOTED</p> <p>0/0 +/- 1/32</p> <p>0.00 +/- .020</p> <p>0.000 +/- .005</p> <p>0.0000 +/- .001</p> <p>ANGLE +/- 1/2</p>
		<p>DATE: 01/04/08</p> <p>CHECKED BY: ALINK</p>
<p>DRAWN BY: ALINK</p>		<p>DATE: -</p>
<p>PART NO. KSC-466570X</p>		<p>REV. -</p>
<p>DESCRIPTION: COULTER/SPRING CLAMP, 5 X 7 OR 7 X 7</p>		<p>MATERIAL: WELDMENT</p>
<p>REL. BY</p>	<p>DATE</p>	<p>DESCRIPTION</p>

**Spring bundles, 5/8" U-bolts ARE INCLUDED with ShieldAg Spring Bundles**

<b>Part #</b>	<b>Description</b>	<b>Unit Weight, lbs</b>
S-1244SL	Spring load clamp for 4x4" bar for 1x2" or 1-1/4 X 2 shank	44.0
S-1264SL	Spring load clamp for 6x4" bar for 1x2" shank or 1-1/4 X 2 shank	44.0
S-1246SL	Spring load clamp for 4x6" bar for 1x2" shank or 1-1/4 X 2 shank	46.0
S-1266SL	Spring load clamp for 6x6" bar for 1x2" shank or 1-1/4 X 2 shank	46.0
S-1257SL	Spring load clamp for 5x7" bar for 1x2" shank or 1-1/4 X 2 shank	56.0
S-1277SL	Spring load clamp for 7x7" bar for 1x2" shank or 1-1/4 X 2 shank	56.0
<b>S-1244SLX</b>	<b>Heavy-duty SL clamp, 4x4" bar for 1x2" or 1-1/4 X 2 shank</b>	<b>46.0</b>
<b>S-1264SLX</b>	<b>Heavy-duty SL clamp, 6x4" bar for 1x2" shank or 1-1/4 X 2</b>	<b>46.0</b>
<b>S-1246SLX</b>	<b>Heavy-duty SL clamp, 4x6" bar for 1x2" shank or 1-1/4 X 2</b>	<b>48.0</b>
<b>S-1266SLX</b>	<b>Heavy-duty SL clamp, 6x6" bar for 1x2" shank or 1-1/4 X 2</b>	<b>48.0</b>
<b>S-1257SLX</b>	<b>Heavy-duty SL clamp, 5x7" bar for 1x2" shank or 1-1/4 X 2</b>	<b>56.0</b>
<b>S-1277SLX</b>	<b>Heavy-duty SL clamp, 7x7" bar for 1x2" shank or 1-1/4 X 2</b>	<b>56.0</b>



**S-1244SLX series Heavy-Duty Spring Bundle, supplied with 5/8" U-bolts**