

Shield Bar Size	Liquid or NH3	Manufacturer	Bar Size (inches)		Applicator notes
			Vertical	Horizontal	
6X4	LIQ	Dalton	6	4	dual gang, 12 coulters
6X4	NH3	Dalton	6	4	DW3000, DW6000-series

Bar Size	Manufacturer	Bar Size (inches)		Applicator notes	
		Vertical	Horizontal		
4X4	LIQ	DMI/CNH	4	4	small bar
6X4	LIQ	DMI/CNH	6	4	large bar (NPX 2800)
6X4	NH3	DMI/CNH	6	4	3000-series
6X4	NH3	DMI/CNH	6	4	4000-series
6X4	NH3	DMI/CNH	6	4	5000-series & NPX 5300

Bar Size	Manufacturer	Bar Size (inches)		Applicator notes	
		Vertical	Horizontal		
7X7	LIQ	Blu-Jet	7	7	AT 3000
6X6	NH3	Blu-Jet	6	6	AT 5000
4X6	NH3	Blu-Jet	4	6	Land Runner
6X6	NH3	Blu-Jet	4	6	AT6010

Bar Size	Manufacturer	Bar Size (inches)		Applicator notes	
		Vertical	Horizontal		
7X7	LIQ	Progressive	7	7	2500 & 2450
5X7	NH3	Progressive	5	7	1300

Bar Size	Manufacturer	Bar Size (inches)		Applicator notes	
		Vertical	Horizontal		
7X7	LIQ	Fast Distr.	7	7	8100 main frame
7X5	LIQ	Fast Distr.	7	5	8100 flip wings
6X4	LIQ	Fast Distr.	6	4	8129 twin gang

Bar Size	Manufacturer	Bar Size (inches)		Applicator notes	
		Vertical	Horizontal		
6X4	LIQ	Schaben	6	4	LA9000 liquid

Bar Size	Manufacturer	Bar Size (inches)		Applicator notes	
		Vertical	Horizontal		
7X4	LIQ	KBH	7	4	Liquid applicator

Bar Size	Manufacturer	Bar Size (inches)		
		Vertical	Horizontal	
6X4	LIQ	Clark	6	4

Bar Size	Manufacturer	Bar Size (inches)		Applicator notes	
		Vertical	Horizontal		
4X6	LIQ	Ag Systems	4	6	6000-series
4X6	NH3	Ag Systems	4	6	7200 & 8000-series

Bar Size	Manufacturer	Bar Size (inches)		Applicator notes	
		Vertical	Horizontal		
6X4	LIQ	P & H Mfg.	6	4	2880
4X6	NH3	P & H Mfg.	4	6	2897

NOTE: ShieldAg uses ASAE standard tool bar sizing
 VERTICAL first, Horizontal second: **DMI uses the opposite terminology**

For use with coultter arm and blade

Where customer needs to mount everything possible to one tool bar

Tool Bar size VERTICAL DIMENSION FIRST, HORIZONTAL DIMENSION SECOND

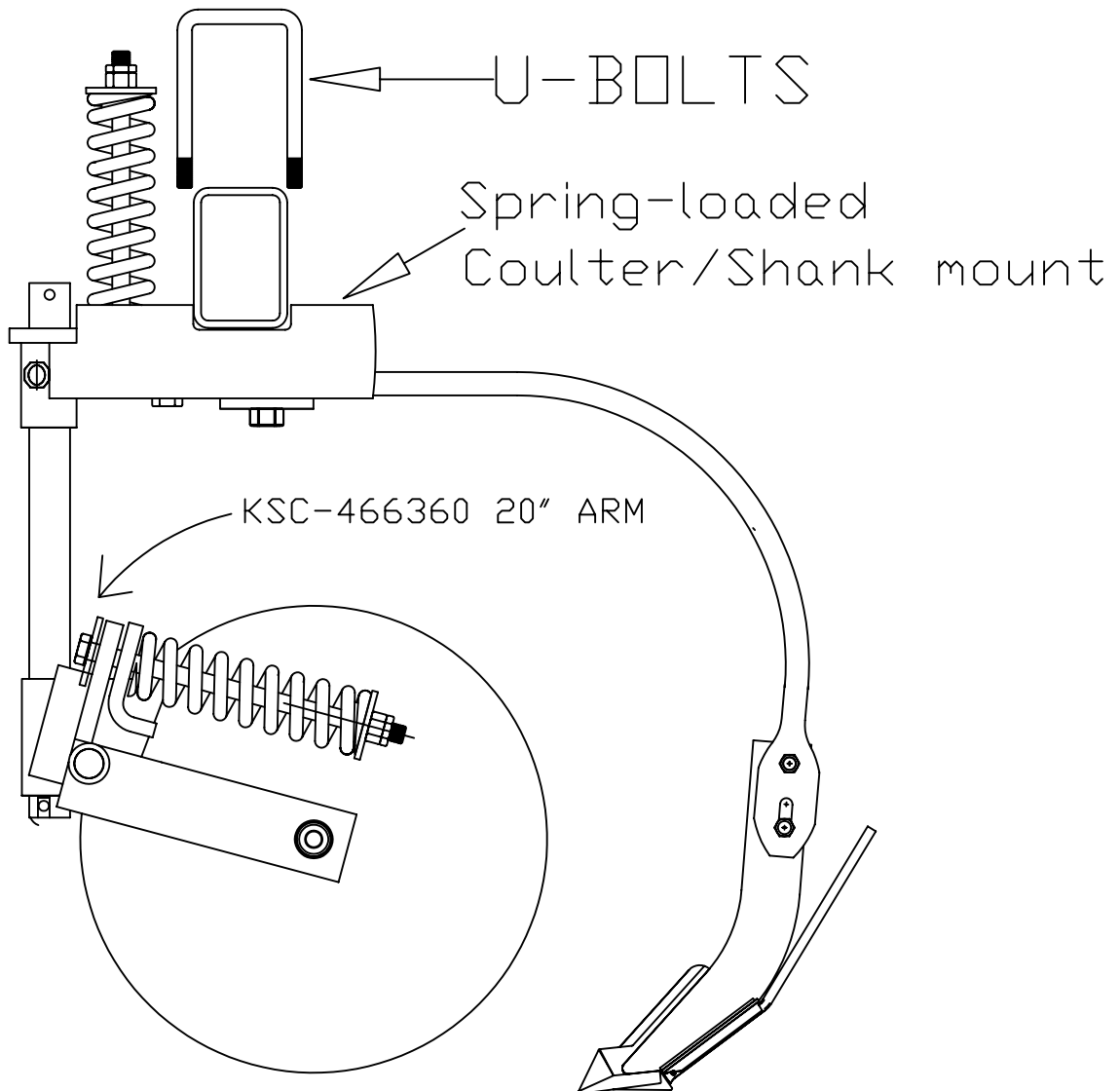
EXAMPLE 4 X 6 means 4" vertical X 6" horizontal

Bar size Vert X Horiz	Spring-loaded Coulter/Shank mount	Heavy-duty double spring Coulter/Shank mount	U-bolts 2 per row	20" Arm
4X4	KSC-466540	KSC-466540X	AP-500529	KSC-466360
6X4	KSC-466540	KSC-466540X	AP-505530	KSC-466360
4X6	KSC-466560	KSC-466560X	AP-505529	KSC-466360
6X6	KSC-466560	KSC-466560X	AP-505018	KSC-466360
5X5	KSC-466750	KSC-466750X	AP-500539	KSC-466360
5X7	KSC-466570	KSC-466570X	AP-500537	KSC-466360
7X7	KSC-466570	KSC-466570X	AP-500538	KSC-466360

CHOICE OF SHANK: KSC-1298, KSC-1298WP, KSC-1290, KSC-1295, KSC-1299

Bolt for bolting the shank to the clamp 106-E3 3/4-10 X 3" hex bolt grade 5

NOTE: KSC-466370 24" Coulter Arms are not designed for use with Single Toolbar CS Mounts



Shield Ag 800-798-1968

Single Tool Bar Mounting System for RIGID SHANK MOUNT

For use with coulter arm and blade

Where customer needs to mount everything possible to one tool bar

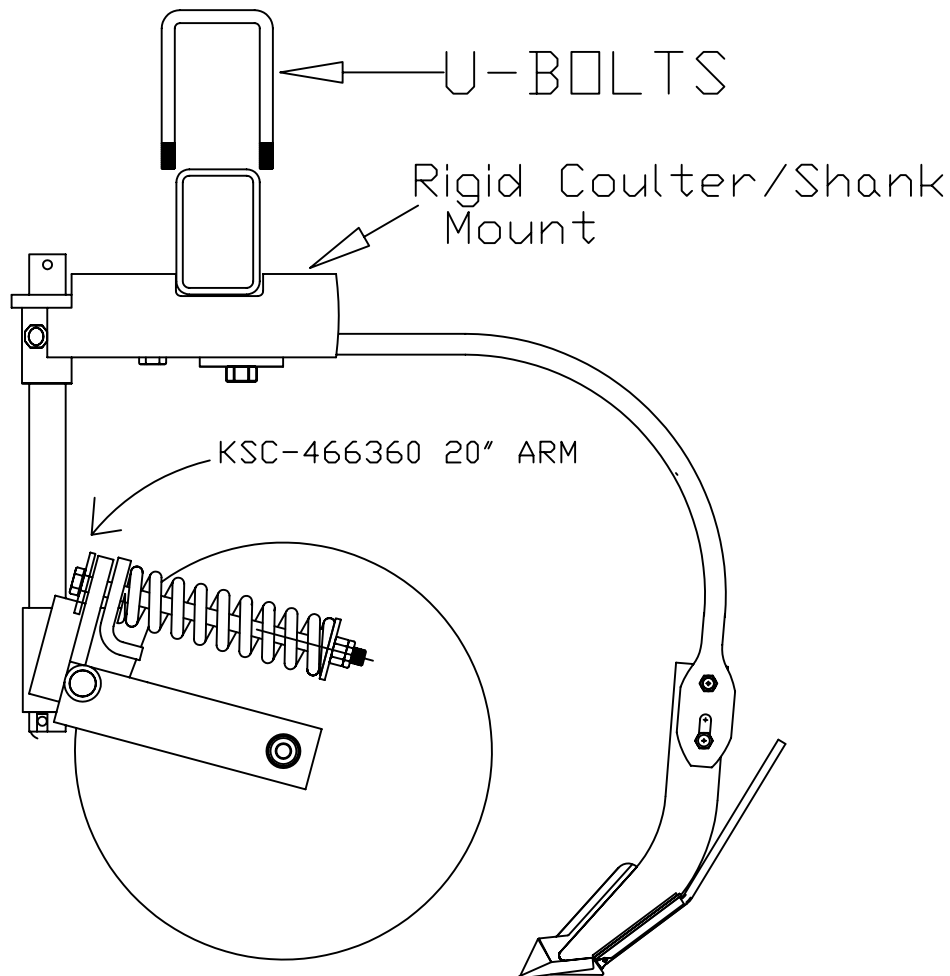
Tool Bar size VERTICAL DIMENSION FIRST, HORIZONTAL DIMENSION SECOND

EXAMPLE 4 X 6 means 4" vertical X 6" horizontal

Bar size Vert X Horiz	Rigid CS Mount Tool Bar Clamp	U-bolts 2 per row	20" Arm
4X4	KSC-466392	AP-500529	KSC-466360
6X4	KSC-466392	AP-505530	KSC-466360
4X6	KSC-466396	AP-505529	KSC-466360
4X6	KSC-466396-KSC95	AP-505529	KSC-466360
6X6	KSC-466396	AP-505018	KSC-466360
5X5	KSC-466751	AP-500539	KSC-466360
5X7	KSC-466397	AP-500537	KSC-466360
7X7	KSC-466397	AP-500538	KSC-466360

CHOICE OF SHANK: KSC-1298, KSC-1298WP, KSC-1290, KSC-1295, KSC-1299

Bolt for bolting the shank to the clamp 106-E3 3/4-10 X 3" hex bolt grade 5



Double Tool Bar System (front bar and back bar) with SPRING BUNDLE shank mounts

ShieldAg 800-798-1968

Mount coulters system on Front bar

Mount Shanks on rear bar

Tool Bar size VERTICAL DIMENSION FIRST, HORIZONTAL DIMENSION SECOND

EXAMPLE 4 X 6 means 4" vertical X 6" horizontal

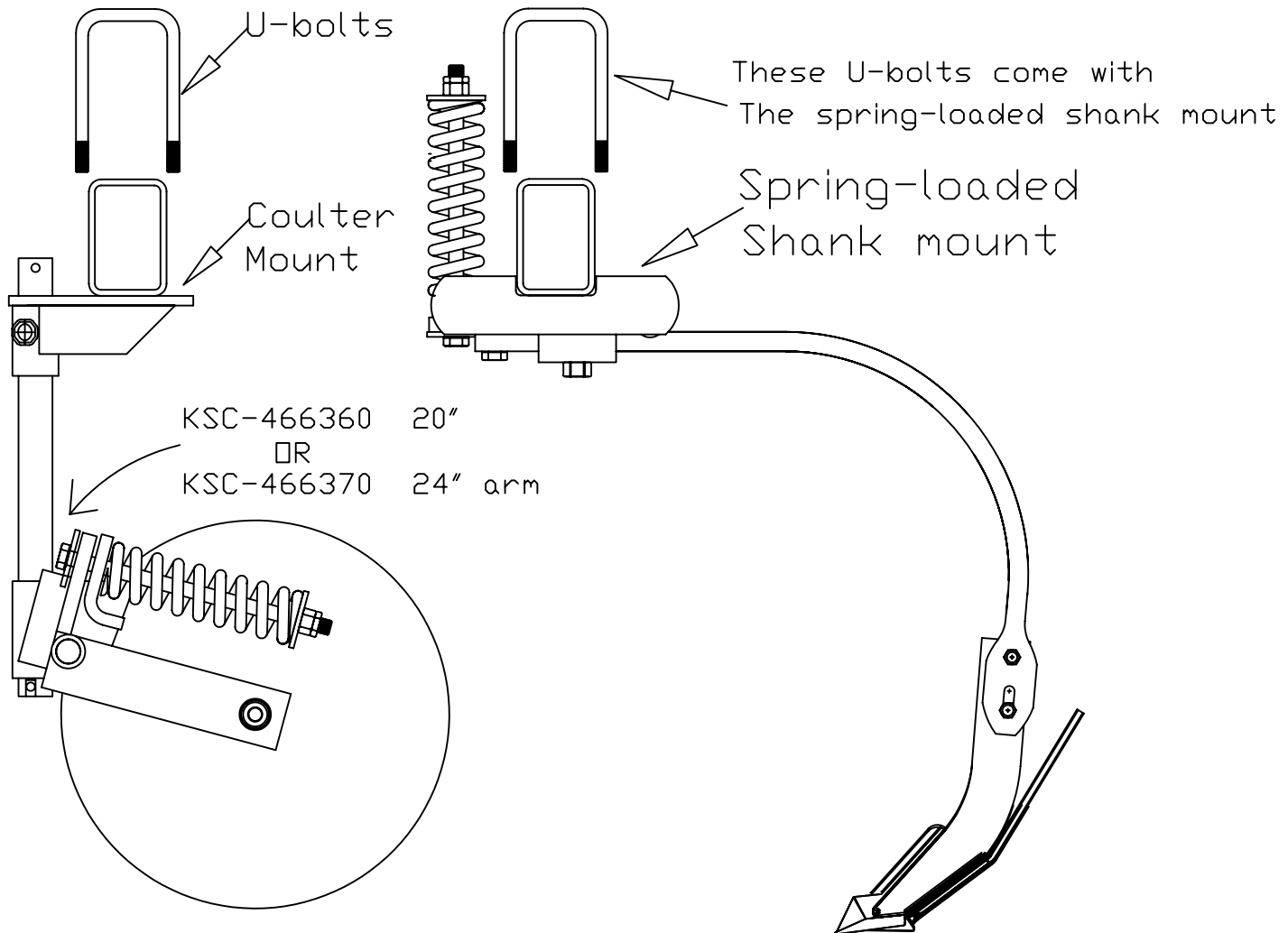
S-series clamps come with U-bolts

Bar Size Vert X Horiz	Coulter Mount On Front Bar	Front Bar U-bolts (quantity)	S-series clamps come with U-bolts		Standard Spring Bundle	Heavy-Duty Spring Bundle
			20" Arm	24" Arm		
6X2	KSC-466340	AP-500534 (1)	KSC-466360	KSC-466370	N/A	N/A
4X4	KSC-466340	AP-500531 (1)	KSC-466360	KSC-466370	S-1244SL	S-1244SLX
6X4	KSC-466340	AP-500532 (1)	KSC-466360	KSC-466370	S-1264SL	S-1264SLX
4X6	KSC-466640	AP-505532 (2)	KSC-466360	KSC-466370	S-1246SL	S-1246SLX
6X6	KSC-466640	AP-500533 (2)	KSC-466360	KSC-466370	S-1266SL	S-1266SLX
5X7	KSC-466571	AP-500535 (2)	KSC-466360	KSC-466370	S-1257SL	S-1257SLX
5X5	KSC-466572	AP-505126 (2)	KSC-466360	KSC-466370	S-1255SL	S-1255SLX
7X7	KSC-466571	AP-510755 (2)	KSC-466360	KSC-466370	S-1277SL	S-1277SLX

SELECTION
GUIDE

CHOICE OF SHANK: KSC-1298, KSC-1298WP, KSC-1290, KSC-1295, KSC-1299

Bolt for bolting the shank to the clamp 106-E3 3/4-10 X 3" hex bolt grade 5



Mount coulters system on Front bar

Mount Shanks on rear bar using KSC-12 series clamps or Lollipop-style clamps

Tool Bar size VERTICAL DIMENSION FIRST, HORIZONTAL DIMENSION SECOND

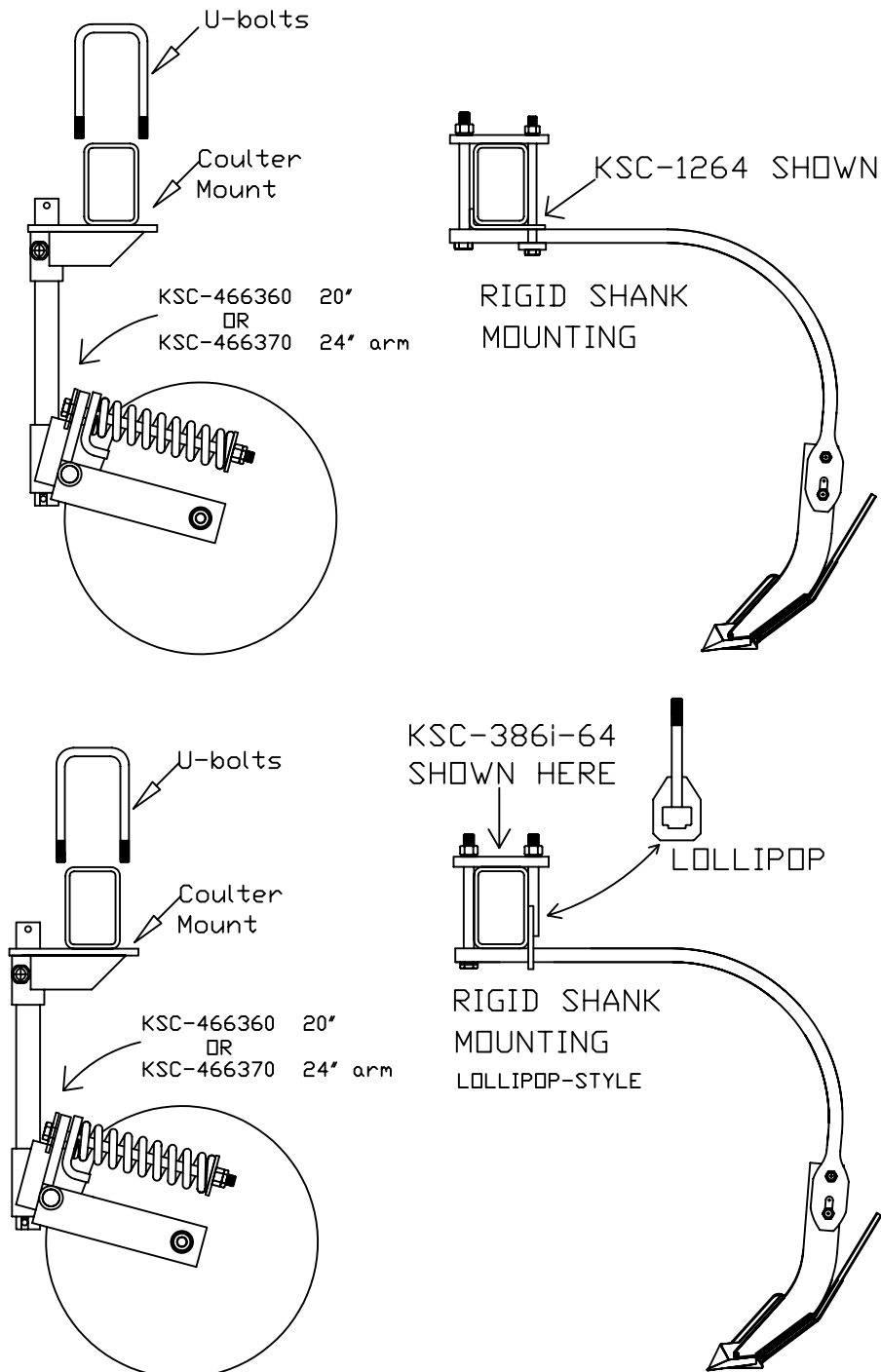
EXAMPLE 4 X 6 means 4" vertical X 6" horizontal

Bar Size	Coulter Mount	Front Bar	Rigid Mount		Lollipop
Vert X Horiz	On Front Bar	U-bolts (quantity)	20" Arm	24" Arm	Clamp Set
6X2	KSC-466340	AP-500534 (1)	KSC-466360	KSC-466370	KSC-1262
4X4	KSC-466340	AP-500531 (1)	KSC-466360	KSC-466370	KSC-1244
6X4	KSC-466340	AP-500532 (1)	KSC-466360	KSC-466370	KSC-1264
4X6	KSC-466640	AP-505532 (2)	KSC-466360	KSC-466370	KSC-1246
6X6	KSC-466640	AP-500533 (2)	KSC-466360	KSC-466370	KSC-1266
5X7	KSC-466571	AP-500535 (2)	KSC-466360	KSC-466370	KSC-1257
5X5	KSC-466572	AP-505126 (2)	KSC-466360	KSC-466370	KSC-1255
7X7	KSC-466571	AP-510755 (2)	KSC-466360	KSC-466370	KSC-1277

CHOICE OF SHANK: KSC-1298, KSC-1298WP, KSC-1290, KSC-1295, KSC-1299

Lollipop clamp sets listed include ONE lollipop and one bolt, with all hardware included

NOTE: Other Lollipop configurations and combinations available from ShieldAg



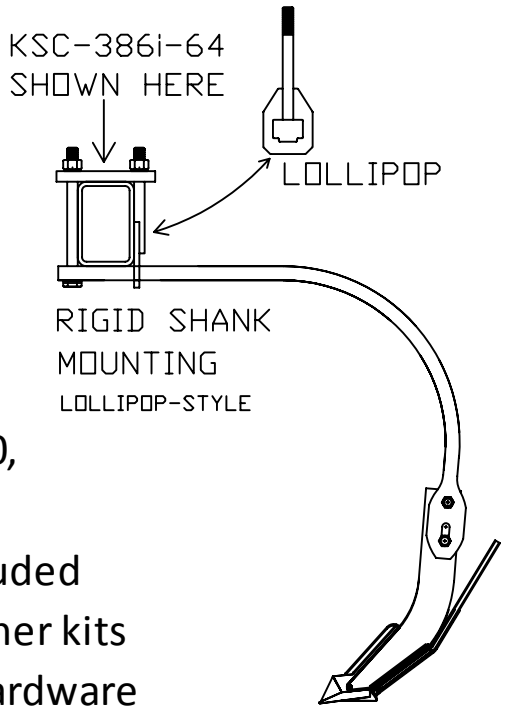
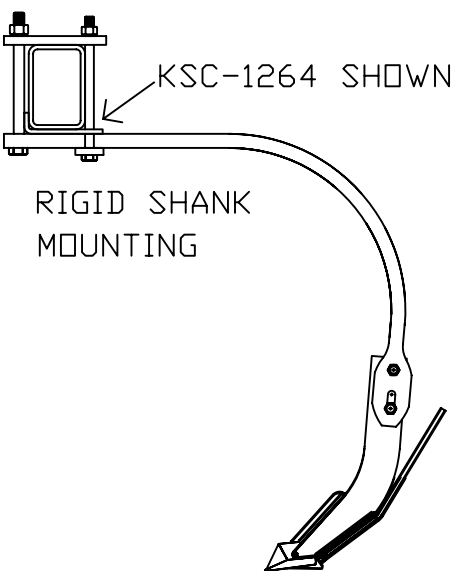
ShieldAg 800-798-1968

Single Bar Rigid SHANK MOUNT ONLY for 1 X 2 Shanks
NO COULTER SYSTEM

Mount Shanks on bar using KSC-12 series clamps
or Lollipop-style clamps

Tool Bar size VERTICAL DIMENSION FIRST,
HORIZONTAL DIMENSION SECOND
EXAMPLE 4 X 6 means 4" vertical X 6" horizontal

Bar Size Vertical X Horizontal	Rigid Mount Clamp Set	Lollipop Clamp Set
6X2	N/A	N/A
4X4	KSC-1244	KSC-386i-44
6X4	KSC-1264	KSC-386i-64
4X6	KSC-1246	KSC-386i-46
6X6	KSC-1266	KSC-386i-66
5X7	KSC-1257	KSC-384-57
5X5	KSC-1255	KSC-384-55
7X7	KSC-1277	KSC-384-77



CHOICE OF SHANK: KSC-1298, KSC-1298WP, KSC-1290,
KSC-1295 or KSC-1299

Rigid and Lollipop clamp sets listed all hardware included
Lollipop clamp sets have ONE lollipop in kit, other kits
Are available with different combinations of hardware

Single Bar LIQUID COULTER MOUNT

ShieldAG 800-798-1968

Tool Bar size VERTICAL DIMENSION FIRST, HORIZONTAL DIMENSION SECOND

EXAMPLE 4 X 6 means 4" vertical X 6" horizontal

Bar Size Vert X Horiz	Coulter Mount On Front Bar	Bar Mount U-bolts (quantity)	20" liquid Arm
6X2	KSC-466340	AP-500534 (1)	KSC-531002
4X4	KSC-466340	AP-500531 (1)	KSC-531002
6X4	KSC-466340	AP-500532 (1)	KSC-531002
4X6	KSC-466640	AP-505532 (2)	KSC-531002
6X6	KSC-466640	AP-500533 (2)	KSC-531002
5X7	KSC-466571	AP-500535 (2)	KSC-531002
5X5	KSC-466572	AP-505126 (2)	KSC-531002
7X7	KSC-466571	AP-510755 (2)	KSC-531002

