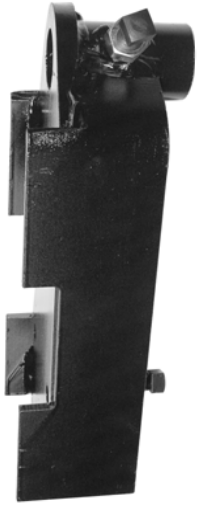


RIGID C-S (coultter-shank) Mounts, 5/8" U-bolts not included

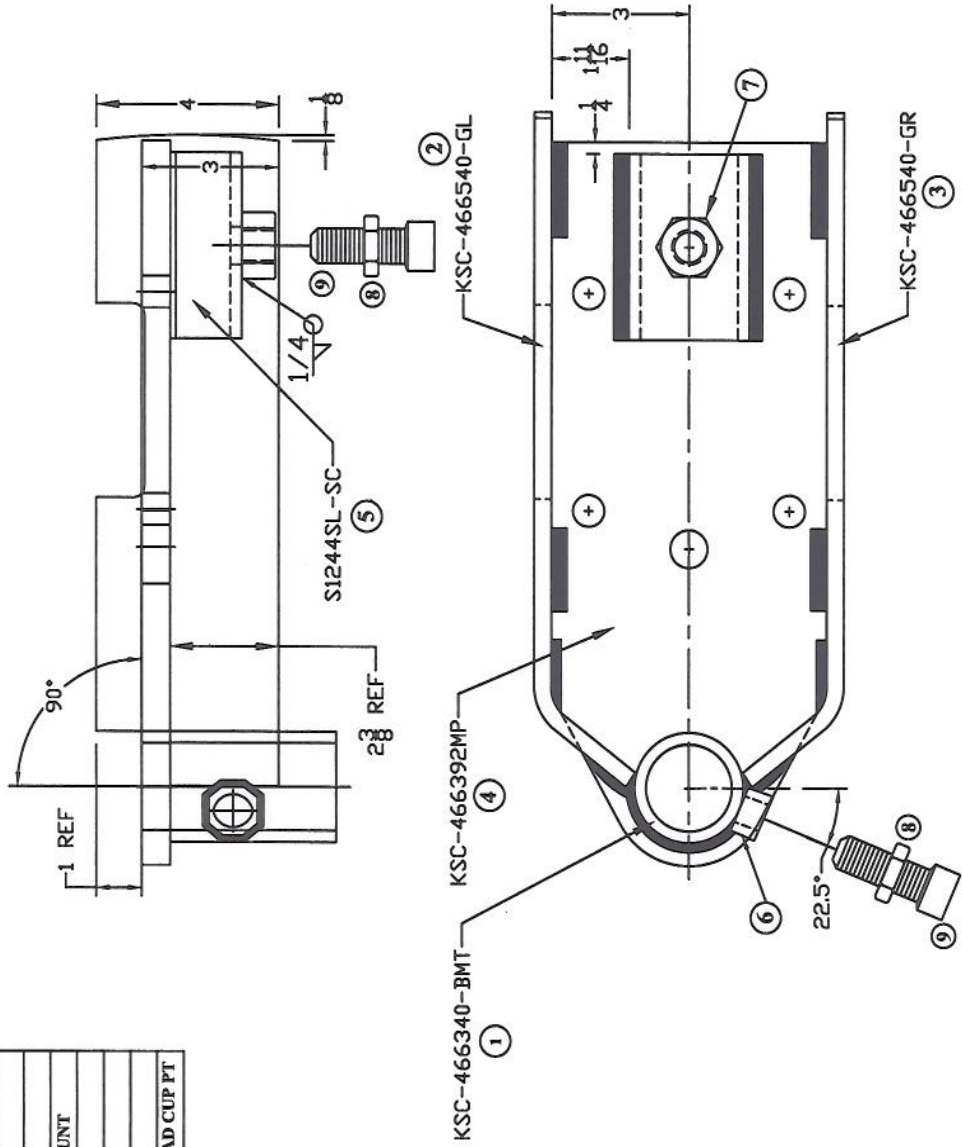
Part #	Description	Unit Weight, lbs
KSC-466392	4 X 4 or 6 X 4 Coultter System Mount, 4" horizontal, requires 2ea 5/8" U-bolt	42.0
KSC-466396	4 X 6 or 6 X 6 Coultter System Mount, 6" horizontal, requires 2ea 5/8" U-bolt	46.0
KSC-466397	5 X 7 or 7 X 7 Coultter System Mount, 7" horizontal, requires 2ea 5/8" U-bolt	53.0

SEE U-bolt Section 9 to select proper size U-bolt for your toolbar



KSC-466392 C-S Mount

ITEM #	QUAN.	PART #	DESCRIPTION
1	1	KSC-466340-BMT	BAR MTG TUBE
2	1	KSC-466540-GL	GUSSET
3	1	KSC-466540-GR	GUSSET
4	1	KSC-466392-MP	MOUNTING PLATE
5	1	S1244SL-SC	SPRING CLAMP-SHANK MOUNT
6	1	N6	3/4 - 10 HEX NUT
7	1	N6H	3/4 - 10 HEAVY HEX NUT
8	2	N6J	NUT, HEX JAM
9	2	106-B1	SET SCREW 3/4-10 X2 SQ HEAD CUP PT



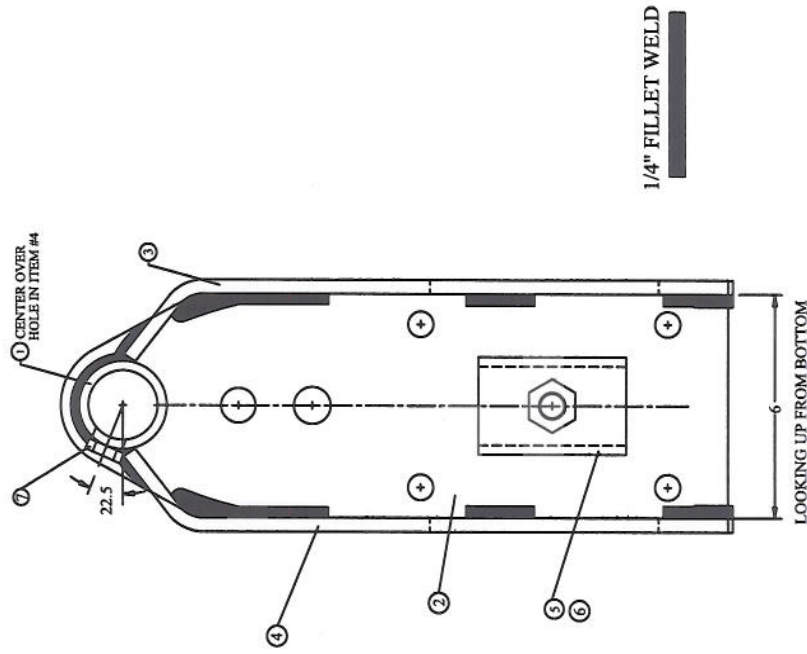
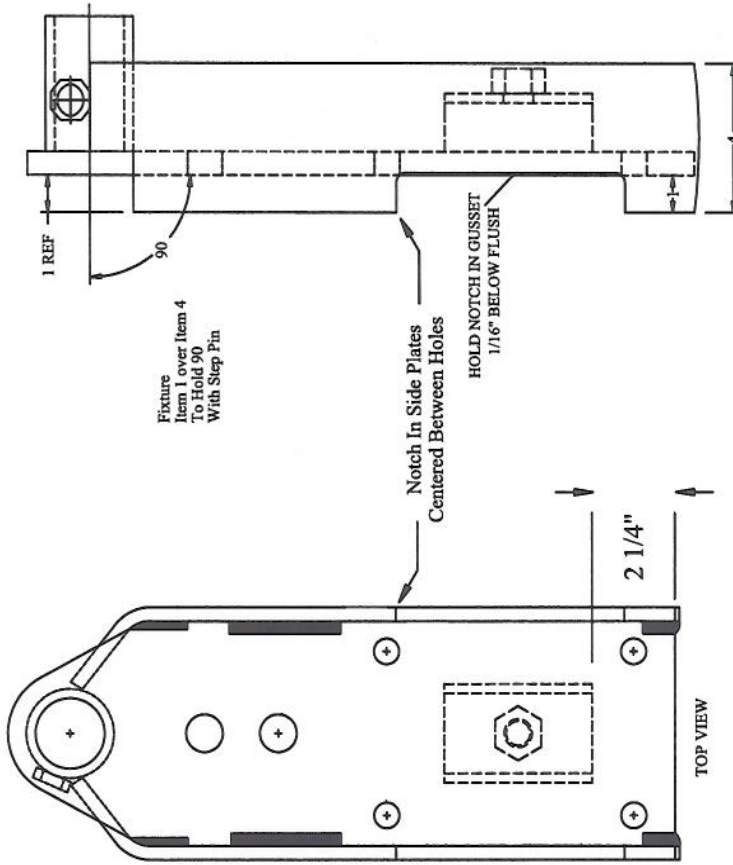
REV.	BY	DATE	DESCRIPTION
-	-	-	-
-	-	-	-
-	-	-	-
-	-	-	-

TOLERANCE UNLESS OTHERWISE NOTED
0.70 +/- 1/32
0.00 +/- .020
0.008 +/- .005
0.0000 +/- .001
ANGLE +/- 1/2

SHIELD
AGRICULTURAL EQUIPMENT
DRAWN BY: ALINK
CHECKED BY: _____
DATE: 03/18/08
DATE: _____

DESCRIPTION	MATERIAL	PART NO.	REV.
C-S MOUNT PLATE-4 X 4 OR 6 X 4	5/8 X 6 HR FLAT	KSC-466392	-

ITEM #	Quan	Part Number	DESCRIPTION
1	1	KSC-466340-BMT	Bar Mounting tube
2	1	KSC-466396-MP	Mounting Plate
3	1	KSC-466560-GL	Gusset
4	1	KSC-466560-GR	Gusset
5	1	S1244SL-SC	U-shaped piece
6	1	N6H	3/4-10 Heavy Hex Nut
7	1	N6	3/4-10 Hex Nut
8	2	106-B1 (NOT SHOWN)	3/4-10 Set Screw
9	2	N6J (NOT SHOWN)	3/4-10 Hex Jam Nut



TOLERANCE UNLESS OTHERWISE NOTED
0/0 +/- 1/32
0.00 +/- .020
0.000 +/- .005
0.0000 +/- .001
ANGLE +/- 1/2

SHIELD
AGRICULTURAL EQUIPMENT

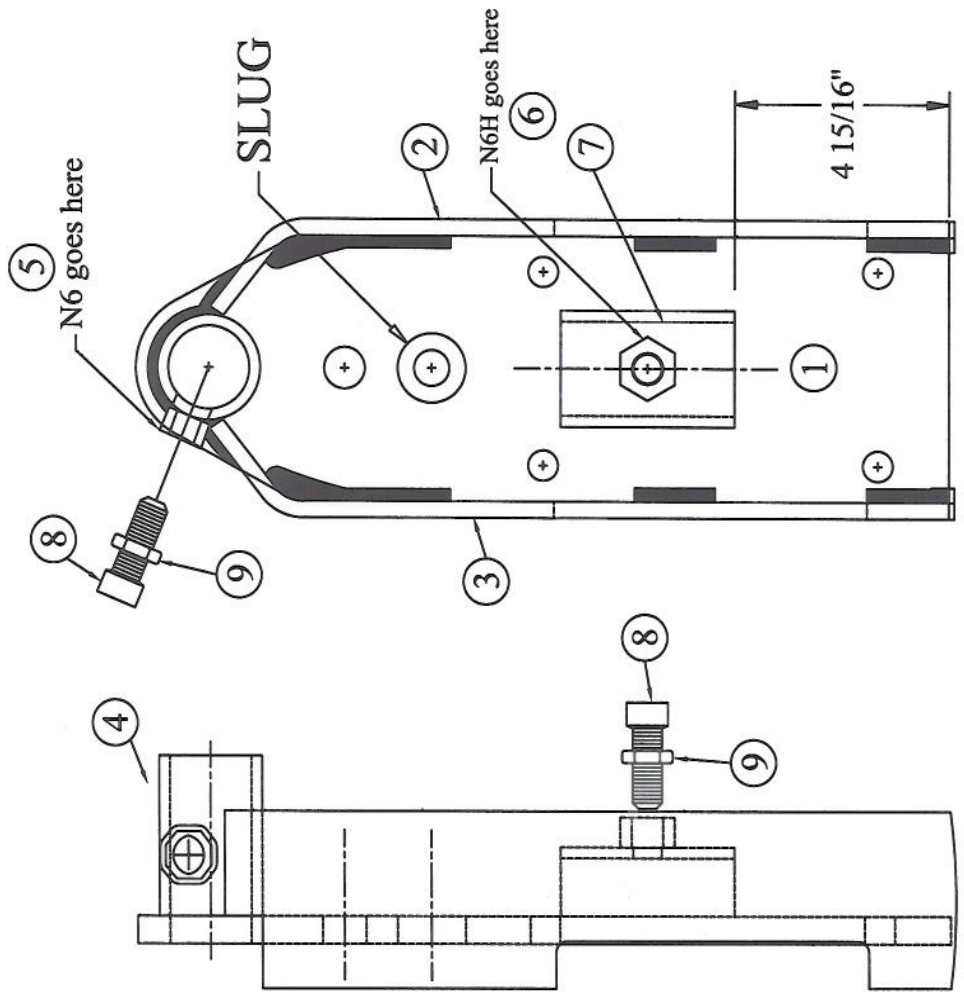
DRAWN BY: **ALINK** DATE: **1/31/08**
CHECKED BY: **-** DATE: **-**

PART NO. **KSC-466396** REV. **-**

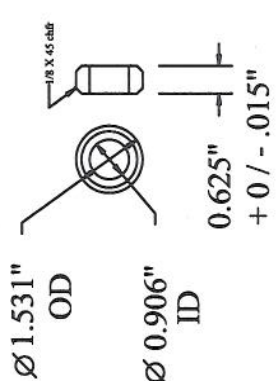
DESCRIPTION

DESCRIPTION **RIGID COULTER/SHANK CLAMP, 4 X 6 OR 6 X 6** MATERIAL **WELDMENT**

ITEM #	QUAN.	PART #	DESCRIPTION
1	1ea	KSC-466570-MP	Mounting Plate
2	1ea	KSC-466570-GL	Gusset
3	1ea	KSC-466570-GR	Gusset
4	1ea	KSC-466340-BMT	Bar Mounting Tube
5	1ea	N6	Nut
6	1ea	N6H	Nut
7	1ea	S1244SL-SC	U-Shaped Piece
8	2ea	106-BI	Set Screw
9	2ea	N6J	Nut



SLUG



Weld slug in both sides and grind smooth

REV.	BY	DATE	DESCRIPTION	MATERIAL	REV.
-	-	-	-	-	-
-	-	-	-	-	-
-	-	-	-	-	-
-	-	-	-	-	-
1	MB	01/01/09	DATE	01/01/09	DATE
1	MB	01/01/09	DATE	01/01/09	DATE
SHIELD AGRICULTURAL EQUIPMENT				PART NO. KSC-466397	
TOLERANCES UNLESS OTHERWISE NOTED 0/0 +/- 1/32 0.00 +/- .000 0.000 +/- .001 ANGLES +/- .12				DESCRIPTION RIGID CS MOUNT, 5 X 7 OR 7 X 7	
TOUGHNESS UNLESS OTHERWISE NOTED 0/0 +/- 1/32 0.00 +/- .000 0.000 +/- .001 ANGLES +/- .12				MATERIAL WELDMENT	