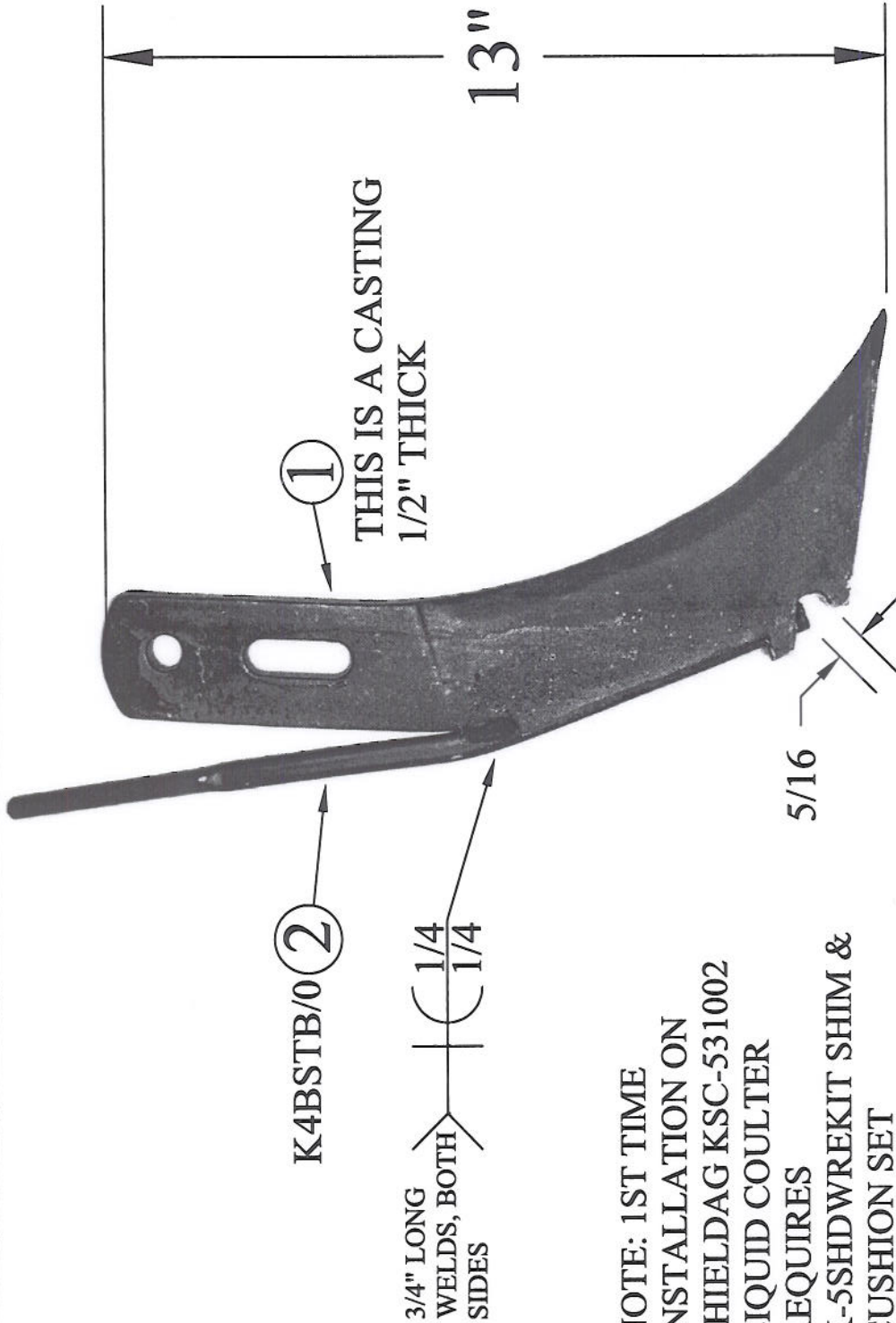


ITEM #	QUAN.	PART #	DESCRIPTION
1	1	TF-145	SLIM CHROME COULTER KNIFE CASTING A532 3M
2	1	K4BSTB/0	3/8" OPEN END TUBE



NOTE: 1ST TIME  
INSTALLATION ON  
SHIELDAG KSC-531002  
LIQUID COULTER  
REQUIRES  
K-5SHDWREKIT SHIM &  
CUSHION SET

NOTE: CASTING TO  
BE WARMED TO  
70-120° F PRIOR TO  
WELDING  
DO NOT WELD ON  
COLD CASTING

TOLERANCE UNLESS OTHERWISE NOTED
0/0 +/- 1/32
0.00 +/- .020
0.000 +/- .005
0.0000 +/- .001
ANGLE +/- 1/2

<b>SHIELD</b>	
AGRICULTURAL EQUIPMENT	
DRAWN BY: SNORES	DATE: 02/26/09
CHECKED BY: -	DATE: -

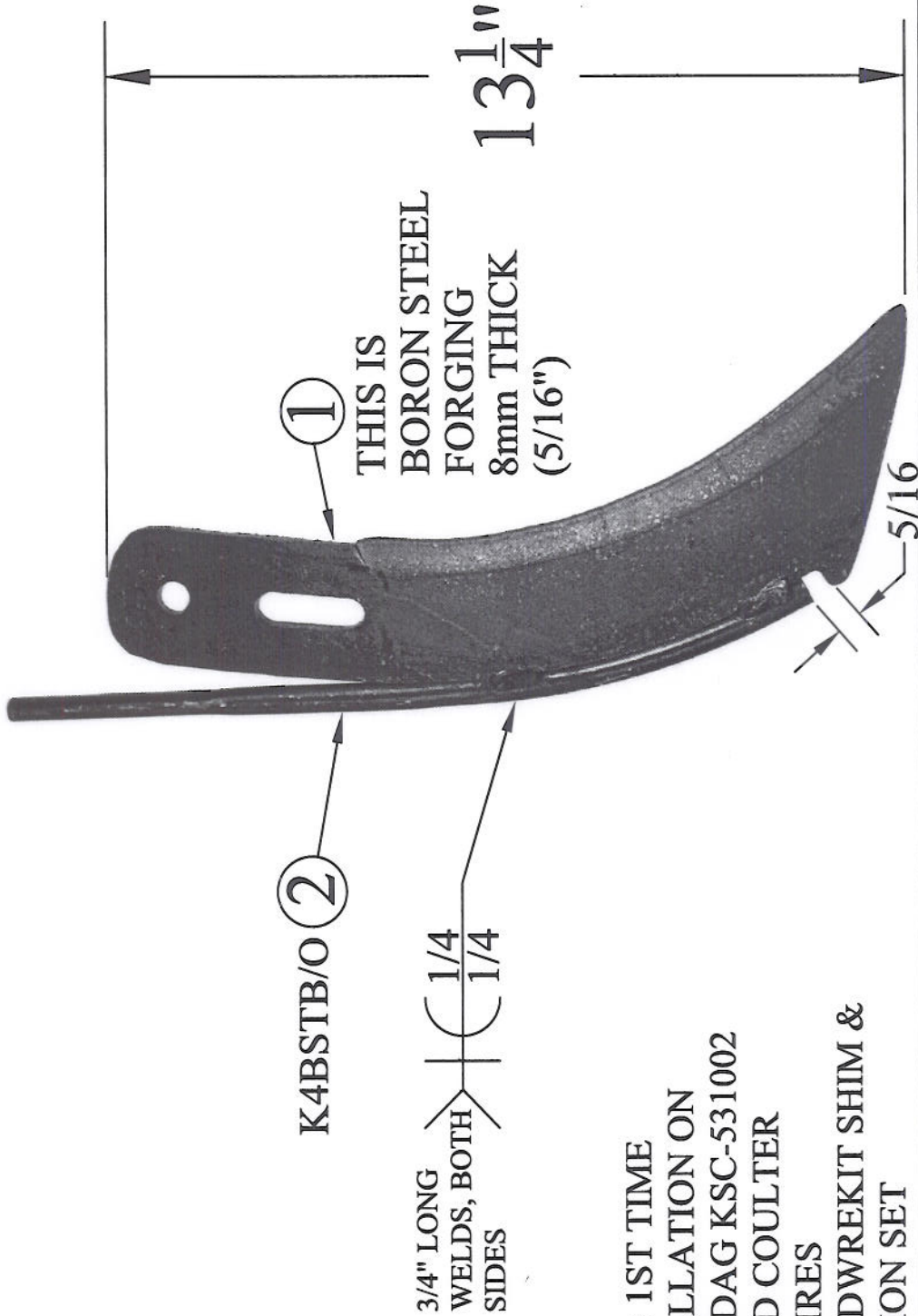
PART NO. <b>K-5S</b>	REV. -
----------------------	--------

**CHROME CARBIDE LIQUID KNIFE**

MATERIAL

LIQUID KNIVES &  
KNIFE & TUBE  
HARDWARE

ITEM #	QUAN.	PART #	DESCRIPTION
1	1	K-5S/BORON	BORON STEEL KNIFE BLANK
2	1	K4BSTB/O	3/8" OPEN END TUBE



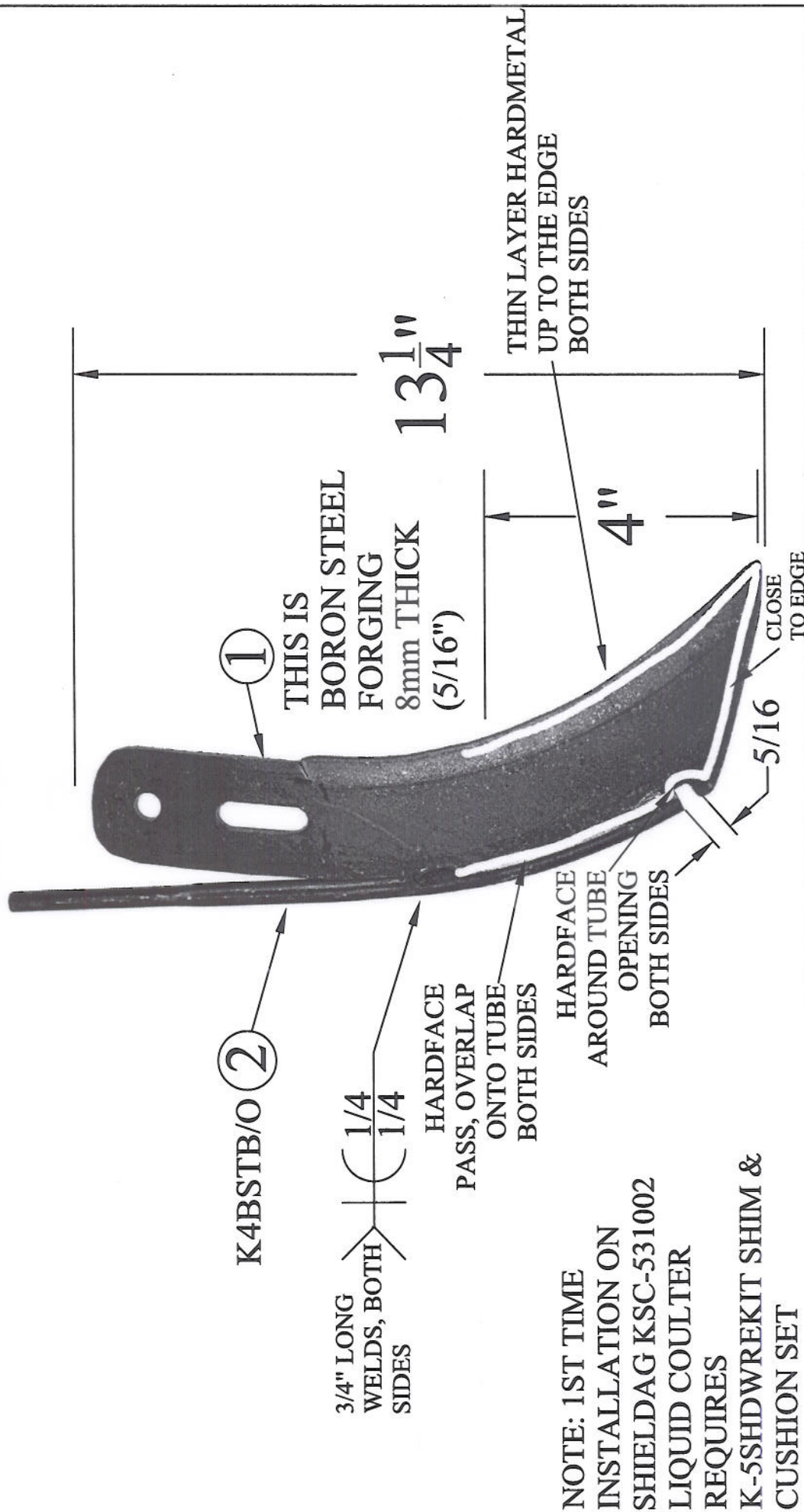
NOTE: 1ST TIME INSTALLATION ON SHIELDAG KSC-531002 LIQUID COULTER REQUIRES K-5SHDWREKIT SHIM & CUSHION SET

REV.	BY	DATE	DESCRIPTION	TOLERANCE UNLESS OTHERWISE NOTED
-	-	-	-	0/0 +/- 1/32
-	-	-	-	0.00 +/- .020
-	-	-	-	0.000 +/- .005
-	-	-	-	0.0000 +/- .001
-	-	-	-	ANGLE +/- 1/2

<b>SHIELD</b>	
AGRICULTURAL EQUIPMENT	
DRAWN BY: SHORES	DATE: 02/26/09
CHECKED BY: -	DATE: -

DESCRIPTION	MATERIAL	PART NO.	REV.
<b>BORON STEEL LIQUID KNIFE</b>		<b>K-5SB</b>	-

ITEM #	QUAN.	PART #	DESCRIPTION
1	1	K-5SB	BORON STEEL KNIFE



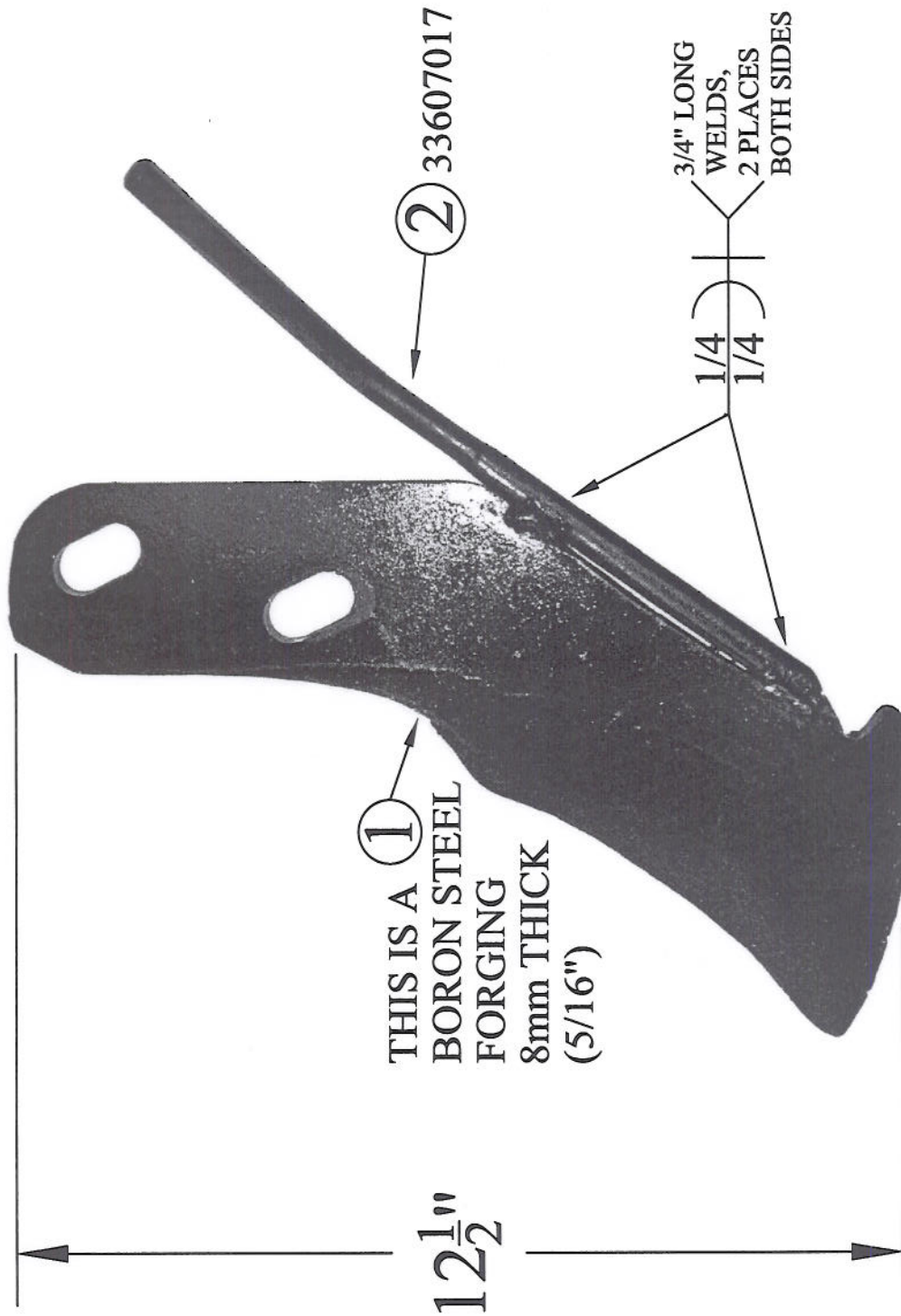
NOTE: 1ST TIME  
 INSTALLATION ON  
 SHIELDAG KSC-531002  
 LIQUID COULTER  
 REQUIRES  
 K-5SHDWREKIT SHIM &  
 CUSHION SET

TOLERANCE UNLESS OTHERWISE NOTED
0/0 +/- 1/32
0.00 +/- .020
0.000 +/- .005
0.0000 +/- .001
ANGLE +/- 1/2

<b>SHIELD</b> AGRICULTURAL EQUIPMENT	
DRAWN BY: SHORES	DATE: 02/26/09
CHECKED BY: -	DATE: -
PART NO. K-5SB/HF	REV. -

DESCRIPTION	BY	DATE	DESCRIPTION	MATERIAL
BORON STEEL LIQUID KNIFE, HARDFACED				

ITEM #	QUAN.	PART #	DESCRIPTION
1	1	87437978ST	BORON STEEL KNIFE BLANK
2	1	33607017	KNIFE TUBE



TOLERANCE UNLESS OTHERWISE NOTED
0/0 +/- 1/32
0.00 +/- .020
0.000 +/- .005
0.0000 +/- .001
ANGLE +/- 1/2

REV.	BY	DATE	DESCRIPTION	MATERIAL
-	-	-	-	-
-	-	-	-	-
-	-	-	-	-
-	-	-	-	-

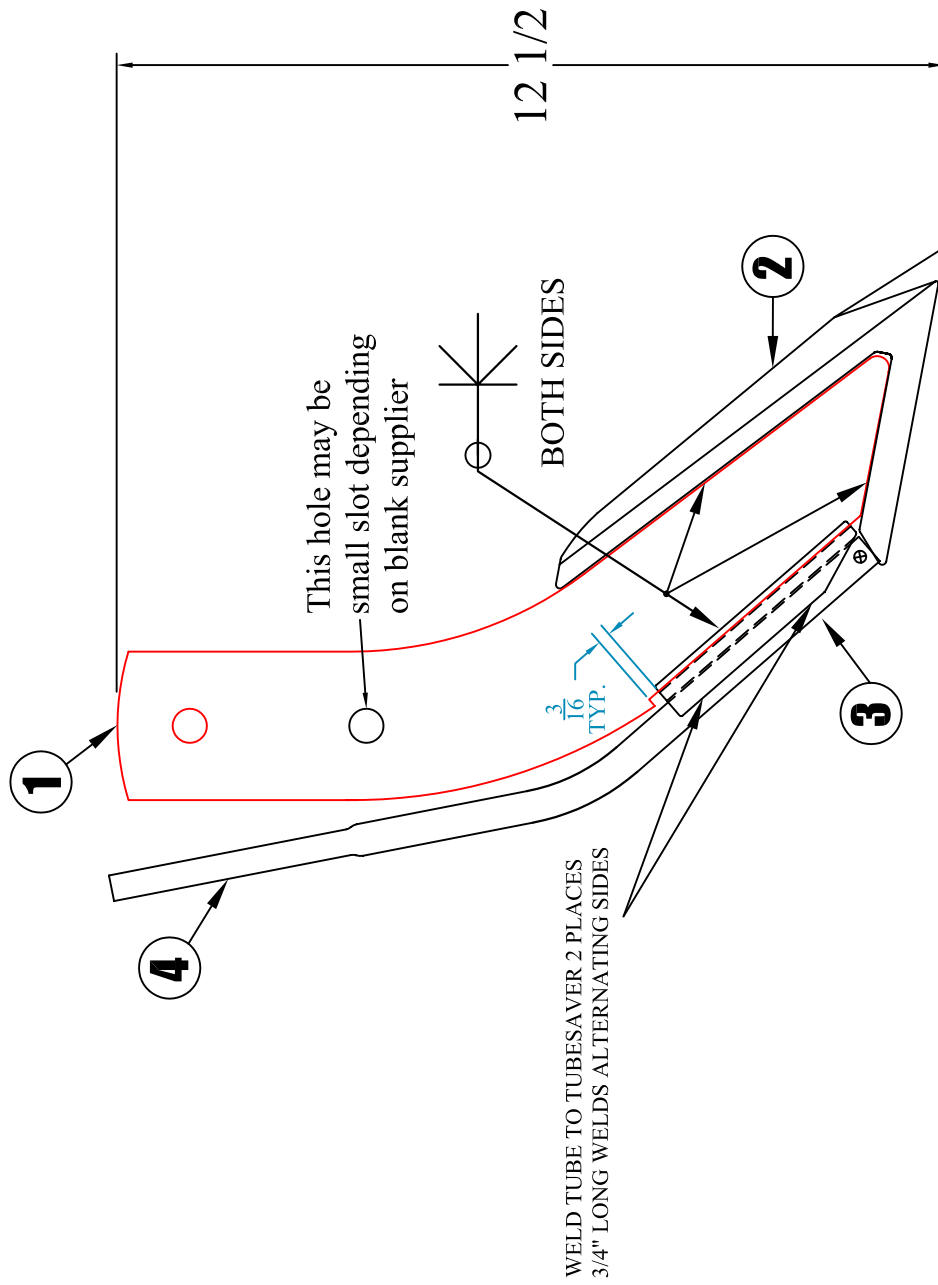
**SHIELD**  
AGRICULTURAL EQUIPMENT

DRAWN BY: SHORES      DATE: 02/26/09  
CHECKED BY:      DATE: -

PART NO. **K-33607014BB**      REV. -

DESCRIPTION **BORON STEEL DMI LIQUID KNIFE**

ITEM #	QUAN.	PART #	DESCRIPTION
1	1	K6SB	BORON STEEL BLANK, 8mm
2	1	716SM	CHROME CARBIDE POINT
3	1	100S	TUBESAVER
4	1	K4STB	KNIFE TUBE



REV.	BY	DATE	DESCRIPTION	MATERIAL	WELDMENT	PART NO.	REV.
-	-	-	-	-	-	K-6S	NC
-	-	-	-	-	-	-	-
-	-	-	-	-	-	-	-
-	-	-	-	-	-	-	-
REV.	BY	DATE	DESCRIPTION	MATERIAL	WELDMENT	PART NO.	REV.

**SHIELD**  
AGRICULTURAL EQUIPMENT

DRAWN BY: **ALBRIGHT**      DATE: **4/2/09**

CHECKED BY: \_\_\_\_\_      DATE: \_\_\_\_\_

PART NO. **K-6S**      REV. **NC**

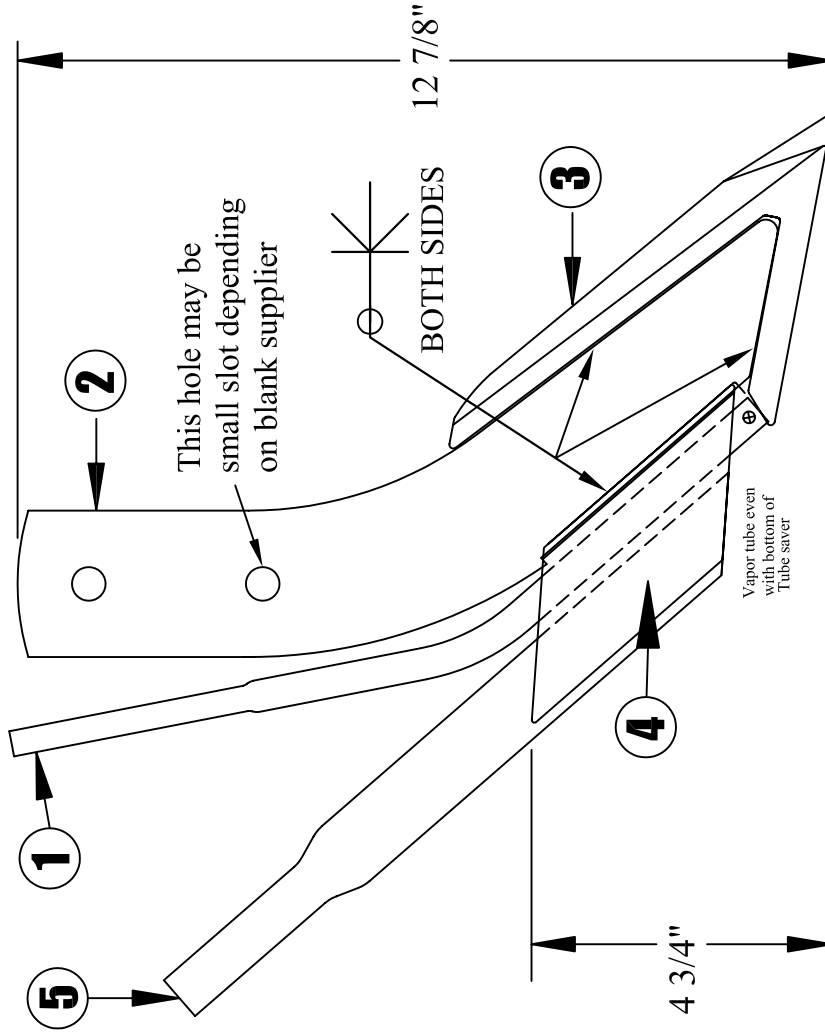
TOLERANCE UNLESS OTHERWISE NOTED

0/0 +/-	1/32
0.00 +/-	.020
0.000 +/-	.005
0.0000 +/-	.001
ANGLE +/-	1/2





ITEM #	QUAN.	PART #	DESCRIPTION
1	1	K4STB	KNIFE TUBE
2	1	K6SB	BORON STEEL BLANK, 5/16"
3	1	716SM	CHROME CARBIDE POINT
4	1	100DS	TUBE SAVER
5	1	K2TBDA3/4	3/4" VAPOR TUBE



TOLERANCE UNLESS OTHERWISE NOTED
0/0 +/- 1/32
0.00 +/- .020
0.000 +/- .005
0.0000 +/- .001
ANGLE +/- 1/2

**SHIELD**  
AGRICULTURAL EQUIPMENT

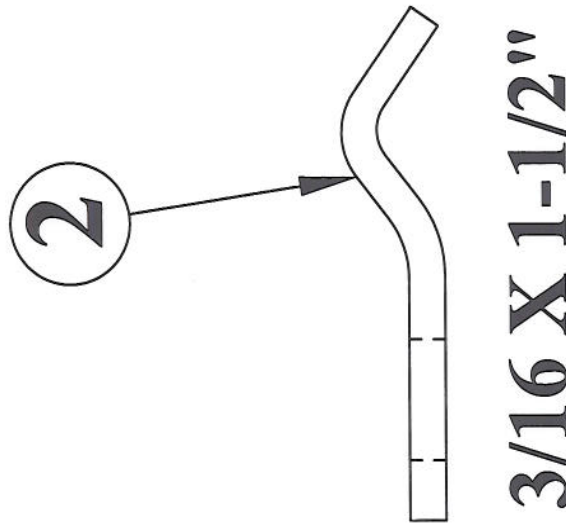
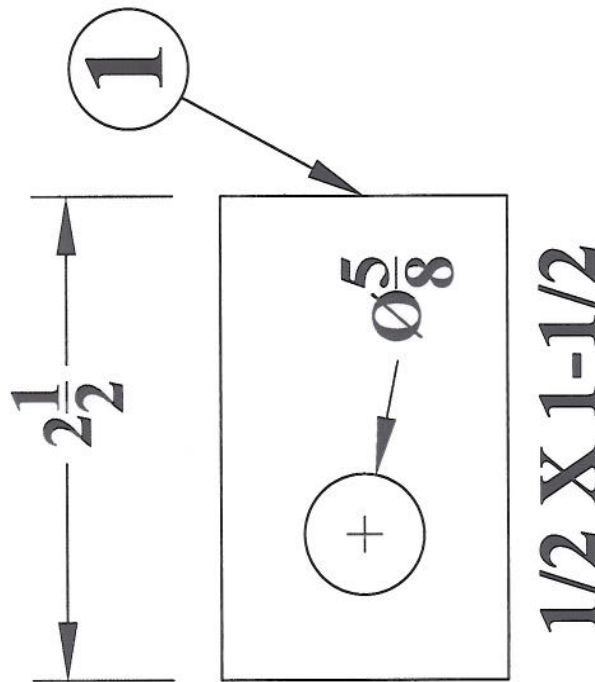
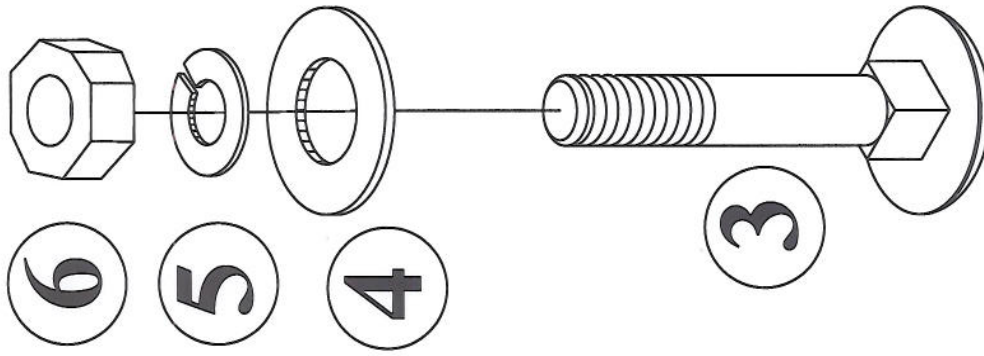
DRAWN BY: <b>SHORES</b>	DATE: <b>12/1/09</b>
CHECKED BY: <b>-</b>	DATE: <b>-</b>

PART NO. **K-6S/3/4DA**  
REV. **NC**

REV.	BY	DATE	DESCRIPTION
-	-	-	-
-	-	-	-
-	-	-	-
-	-	-	-

DESCRIPTION **SLIM KNIFE WITH 3/8" DRILLED TUBE AND 3/4 VAPOR TUBE**  
MATERIAL **WELDMENT**

ITEM #	QUAN.	PART #	DESCRIPTION
1	1	KSC-05310140	INNER CLAMP, FLAT
2	1	KSC-05310130	OUTER CLAMP, DOUBLE BREAK
3	1	AP-500429	1/2-13 X 2 CARRIAGE BOLT, GR5
4	1	MF4	1/2" FLAT WASHER
5	1	LW4	1/2" LOCK WASHER
6	1	N4	1/2-13 NUT



REV.	BY	DATE	DESCRIPTION
-	-	-	-
-	-	-	-
-	-	-	-
NC	AL	01-14-08	Release For Production

TOLERANCE UNLESS OTHERWISE NOTED	
0/0 +/-	1/32
0.00 +/-	.020
0.000 +/-	.005
0.0000 +/-	.001
ANGLE +/-	1/2

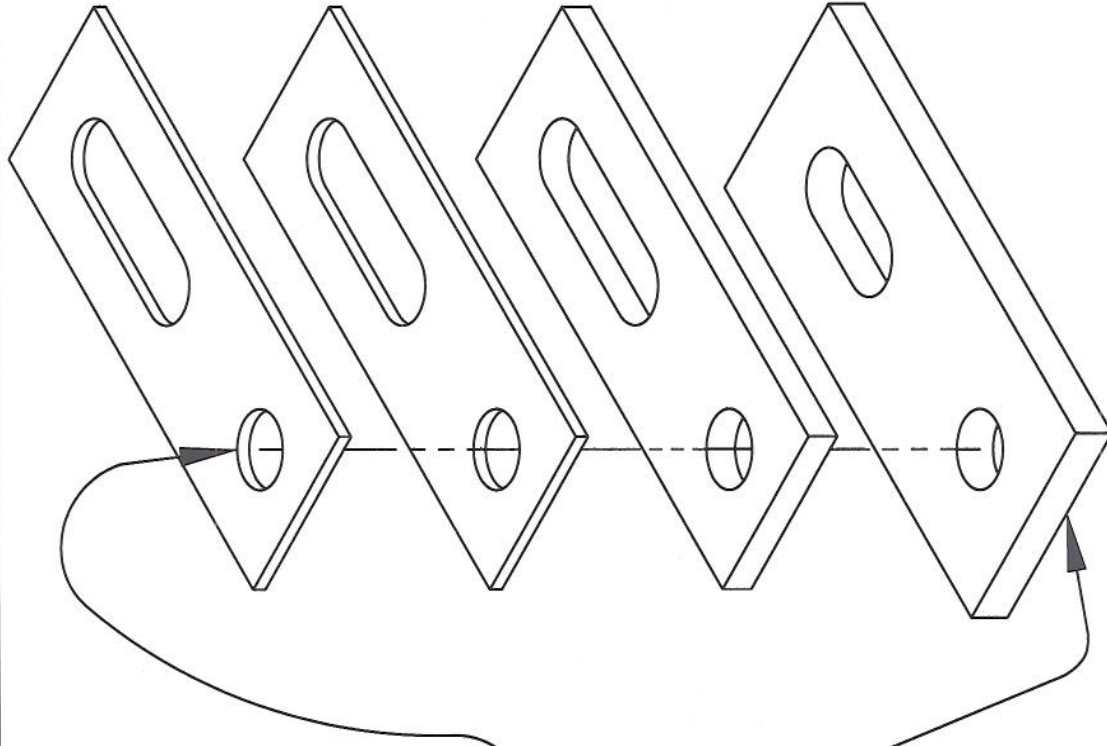
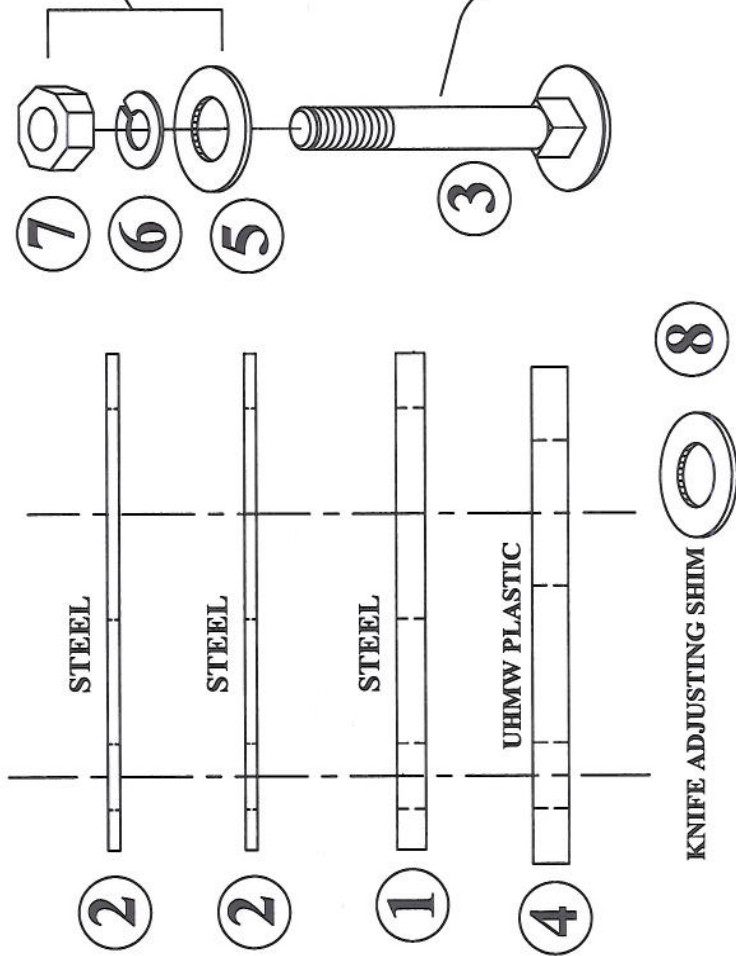
**SHIELD**  
AGRICULTURAL EQUIPMENT

DRAWN BY: ALINK  
CHECKED BY: -  
DATE: 01-14-08  
DATE: -

PART NO. KSC-0531010  
REV. NC

DESCRIPTION: HDWRE KIT, LIQUID NOZZLE CLAMP  
MATERIAL: ASSEMBLY

ITEM #	QUAN.	PART #	DESCRIPTION
1	1	K-5S1/4	KNIFE COVER PLATE, 1/4"
2	2	K-5S12ga	12 ga Shim, K-5S
3	2	AP-500430	1/2-13 X 2-1/2 CARRIAGE BOLT, GR5
4	1	CPG-2	CUSHION BLOCK FOR 26" SWEEPS
5	2	MF4	1/2" FLAT WASHER
6	2	LW4	1/2" LOCK WASHER
7	2	N4	1/2-13 NUT
8	2	SHIM	KNIFE ADJUSTING SHIM



TOLERANCE UNLESS OTHERWISE NOTED  
 0/0 +/- 1/32  
 0.00 +/- .020  
 0.000 +/- .005  
 0.0000 +/- .001  
 ANGLE +/- 1/2

**SHIELD**  
 AGRICULTURAL EQUIPMENT

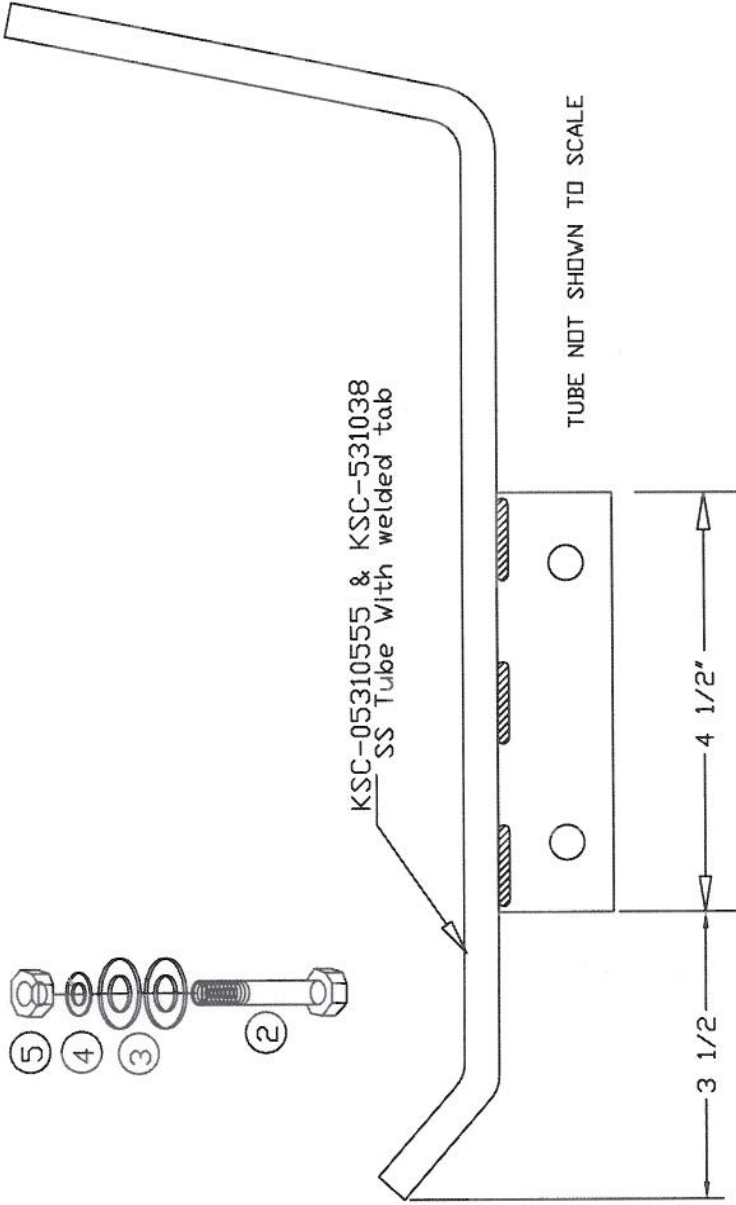
DRAWN BY: ALINK DATE: 05-19-08  
 CHECKED BY: DATE:

PART NO. K-5SHDWREKIT  
 REV. NC

DESCRIPTION	DATE	BY	DATE	DESCRIPTION
NC	05-19-08	AL		Release For Production

DESCRIPTION: **HARDWARE KIT, K5S**  
 MATERIAL: **ASSEMBLY**

ITEM #	QUAN	PART NUMBER	DESCRIPTION
1	1	KSC-05310555 & KSC-531038	Tube weldment with tab
2	2	AP-500453	5/16-18 X 1-1/4" HHCS
3	4	DW2	5/16 SAE Flat Washer
4	2	LW3	5/16" LOCK WASHER
5	2	N7	5/16-18 Hex Nut Plated



TOLERANCE UNLESS OTHERWISE NOTED  
 0/0 +/- .1/32  
 0.00 +/- .020  
 0.000 +/- .005  
 0.0000 +/- .001  
 ANGLE +/- 1/2

REV.	BY	DATE	DESCRIPTION	MATERIAL
-	-	-	-	-
-	-	-	-	-
-	-	-	-	-
-	-	-	-	-

**SHIELD**  
 AGRICULTURAL EQUIPMENT

DRAWN BY: BERGMAYER DATE: 2/11/08  
 CHECKED BY: DATE:

PART NO. **KSC-05310166** REV. -

DESCRIPTION **COULTERS ARM TUBE W/ HARDWARE**