

Hot Products bulletin from ShieldAg and Acra-Plant

Corporate executives talk about “synergy” and we never understood what it meant. I think it means this: At ShieldAg and Acra-Plant, we’ve combined terrific products from both of our lines to design an Acra-Plant Trash Whipper™ for use on our ShieldAg fertilizer row units. The Acra-Plant Trash Whipper™ was originally patented by Acra-Plant in the early 1980’s. There are 1000’s of rows of Trash Whippers on planters all over the country. With the advent of less-till fertilizer application and strip till, there is a need for a universal mounting bracket to allow the farmer to install whatever row cleaner they want on their row units. Now you have that choice:



KSC-466237 bracket fits on any 1-3/4” diameter row unit stem, whether made by ShieldAg or DMI/CNH.

AP-TW466 Acra-Plant Trash Whipper™ pins to the bracket.

The bracket also accepts any row cleaner made by Sunco, Dawn, Martin, Yetter and others with the 2” square tubing stem.

TO ORDER:

KSC-466237 Universal Trash Whipper Mount complete, accepts any 2” square stem

AP-TW466 Trash Whipper™ assembly for KSC row units

This assembly comes complete with the 12” and 13” notched blade assemblies. The blade-mount allows customers to change the angle of attack of the blades and change blade stagger to easily adapt to changing crop and ground conditions. This unit is designed specifically for the KSC-466360 and KSC-466370 20” and 24” coulters arm assemblies, the KSC-531002 liquid row unit, and CNH/DMI factory row units.



www.shieldag.com
(800) 798-1968
www.acraplant.com



PO Box 687 • Hutchinson, KS 67504-0687 • (620) 662-7482 Fax

ShieldAg New Product

KSC-666460 Rolling Basket with CONVEX ("pumpkin") basket

KSC-666461 Rolling Basket with CONCAVE basket

For Strip-Till and Conventional Bars

- Installs on any 1 X 2 or 1-1/4 X 2 "Flat Way" shank
- Low-draft—unit just "trails" the shank without adding load
- Works in conjunction with any standard disc sealer system
- Smooth and form your berm for optimized wintering and spring planting
- Improves seed-to-soil contact during planting season
- Assists in sealing fertilizer products in the ground
- Choice of Berm-builder baskets—concave or convex, YOUR CHOICE
- NEW for 2010—transport lock to minimize damage while roading



KSC-666460 with Concave "pumpkin" basket



Perfect Shaping and Soil Control !

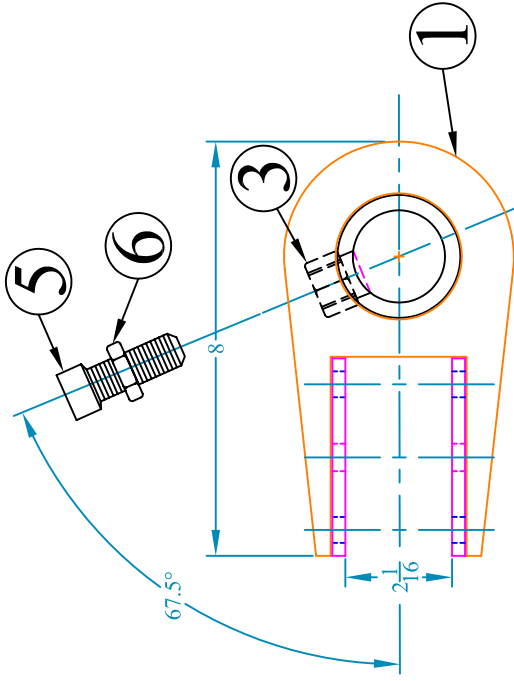


www.shieldag.com
(800) 798-1968
www.acraplant.com

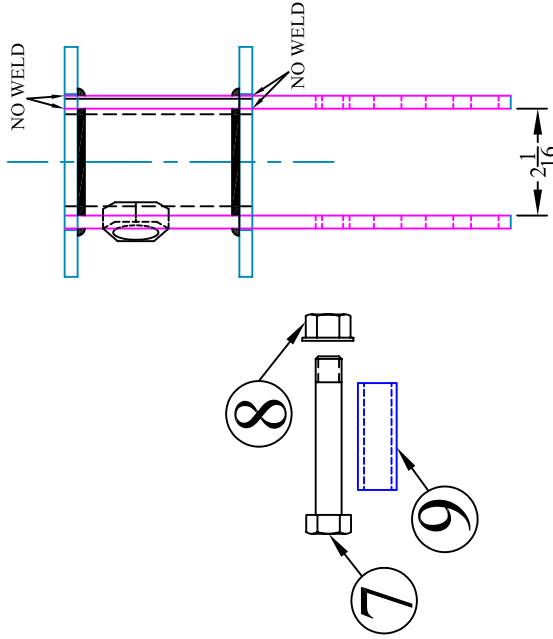
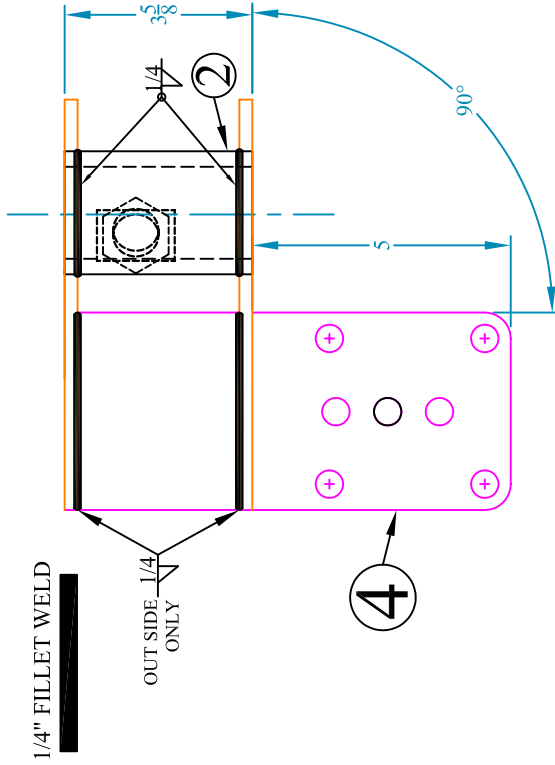


PO Box 687 • Hutchinson, KS 67504-0687 • (620) 662-7482 Fax

ITEM #	QUAN.	PART #	DESCRIPTION
1	2	FRC001	ROW CLEANER MOUNT TUBE MTG PLATE
2	1	KSC-466340-BMT	BAR MTG TUBE 2-3/8 X 3-5/8
3	1	N6H	NUT, HEX HEAVY, 3/4-10 GR2 NO PLATING
4	2	FRC002	ROW CLEANER SIDE PLATE
5	1	106-B1	SET SCREW 3/4-10 X2 SQ HEAD CUP PT
6	1	N6J	NUT, HEX JAM, 0.750 3/4" PLATED
7	4	104-C1	HHCS, GRADE5, 0.5x3.00 1/2x3" BOLT
8	4	AP-500587	1/2-13 SERRATED FLANGE NUT ZINC
9	4	FRC003	TRASH WHIPPER MOUNT SPACER



Looking down from top, NUT IS ON RIGHT SIDE



Hold 2 1/16" with fixture

KSC-466237 NC

TOLERANCE UNLESS OTHERWISE NOTED
0/0 +/- 1/16
0.00 +/- .020
0.000 +/- .005
0.0000 +/- .001
ANGLE +/- 2

--

--

--

--

--

--

--

--

--

--

--

--

--

--

--

--

--

--

--

--

--

--

--

--

--

--

--

--

--

--

--

--

--

--

--

--

--

--

--

--

--

--

--

--

--

--

--

--

--

--

--

--

--

--

--

--

--

--

--

--

--

--

--

--

--

--

--

--

--

--

--

--

--

--

--

--

--

--

--

--

--

--

--

--

--

--

--

--

--

--

--

--

--

--

--

--

--

--

--

--

--

--

--

--

--

--

--

--

--

--

--

--

--

--

--

--

--

--

--

--

--

--

--

--

--

--

--

--

--

--

--

--

--

--

--

--

--

--

--

--

--

--

--

--

--

--

--

--

--

--

--

--

--

--

--

--

--

--

--

--

--

--

--

--

--

--

--

--

--

--

--

--

--

--

--

--

--

--

--

--

--

--

--

--

--

--

--

--

--

--

--

--

--

--

--

--

--

--

--

--

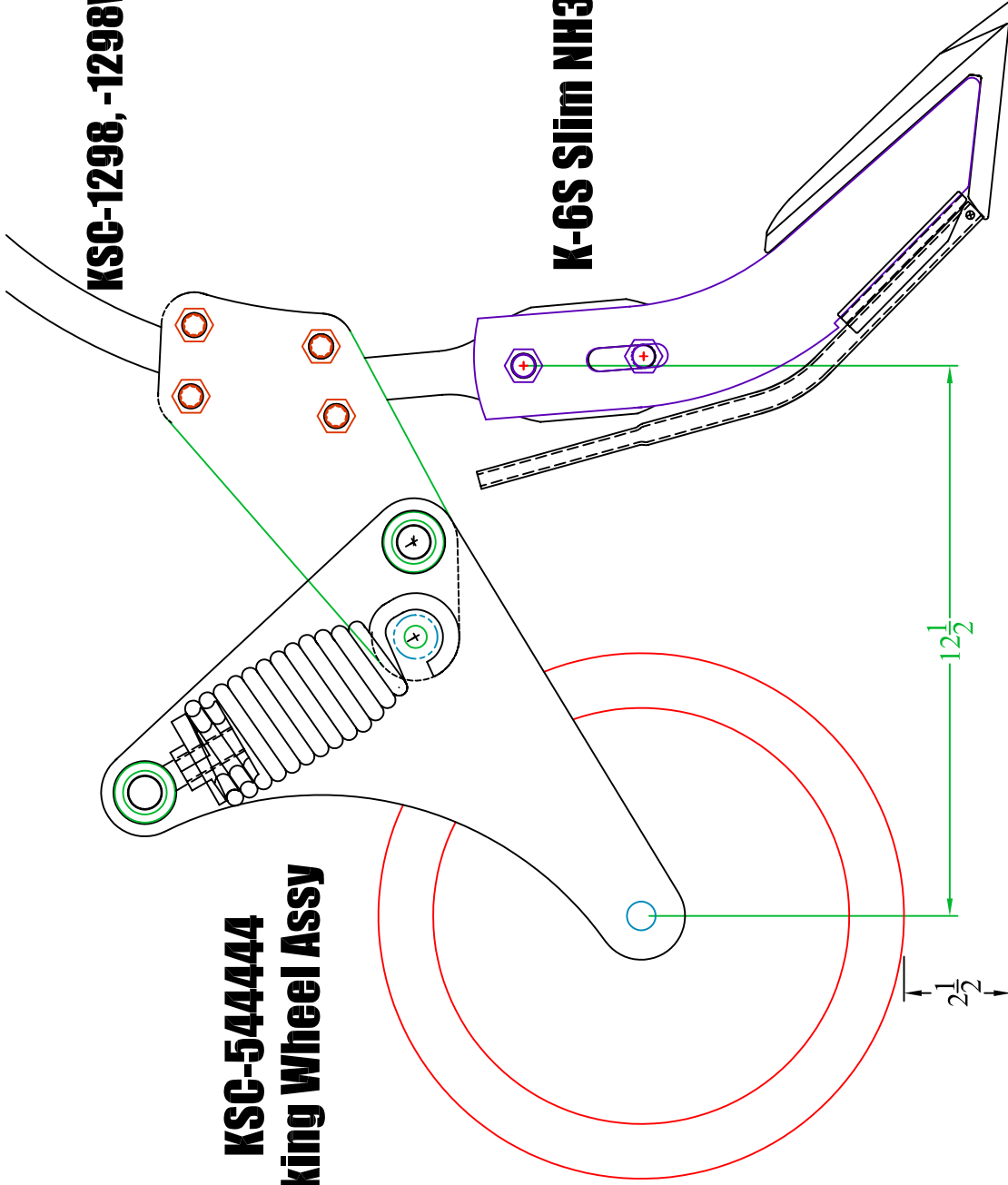
--

--

KSC-1298, -1298WP or KSC-1295 Shank

**KSC-544444
Packing Wheel Assy**

K-6S Slim NH3 knife



-		-		-		TOLERANCE UNLESS OTHERWISE NOTED		SHIELD AGRICULTURAL EQUIPMENT		
-		-		-		0/0 +/- 1/32		DRAWN BY: SHORES DATE: 7/9/09		
-		-		-		0.00 +/- .020		CHECKED BY: _ DATE: _		
-		-		-		0.0000 +/- .005				
-		-		-		ANGLE +/- 1/2				
REV.	BY	DATE	DESCRIPTION				PART NO. ASSY			
-			Hi-speed knife and sealing/packing wheel				REV. NC			
-			Installation							